

IEC Pin and Sleeve 60A, 3 PhaseY, 277/480V, 4 Pole, 5 Wire Watertight Inlet

HUBBELL®

Features

- UL Type 4X, 12 and IP69k environmental ratings
- Impact and corrosion resistant insulated non-metallic housing
- Solid one-piece pins for reliable electrical contact
- Gasketed sealing ring provides watertight seal
- Sequential contact engagement to prevent a momentary over-voltage

Ordering Information

Description	UPC Number	Catalog Number
Watertight IEC Pin and Sleeve Inlet	783585405629	HBL560B7W

Listings

UL Listed, File E146032
 CSA Certified File LR280C
 UL Classified to IEC 60309-1 IEC 60309-2

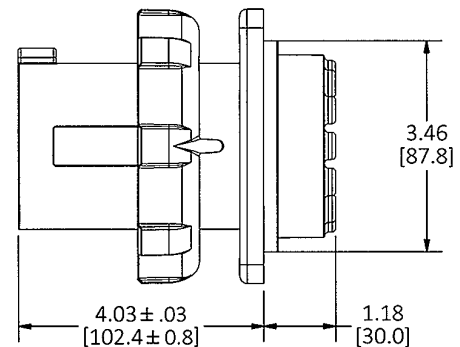
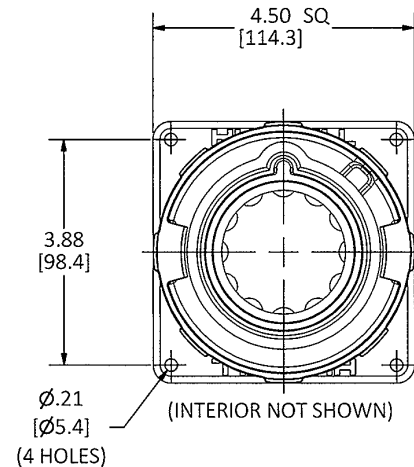


Specifications

Housing	PBT
Locking Ring	PBT
Sealing Gasket	Solid Neoprene
Retainer	High-Impact Thermoset
Terminal Screws	Stainless Steel
Gaskets	Santoprene

Performance

Electrical	
Current Interrupting	Certified for current interrupting at full rated current
Dielectric Voltage	Withstands 3,000V AC
Max. Working Voltage	600V AC RMS
Mechanical	
Impact Resistance	Per CSA C22.2, No. 182.1, UL 1682
Product Identification	Identification and ratings are permanently fastened to the device housing
Terminal Identification	Terminals identified in accordance with North American and IEC conventions
Environmental	
Flammability	V-0
Ingress Protection	Type 3R, 3RX, 4X and IP68, IP69K
Moisture Resistance	IEC 60309-1
Operating Temperature	Maximum Continuous 75°C; Minimum - 40°C w/o impact



Complementary Products

Closure Cap
 Locking Ring
 Liquidtight Adapters

Online Resources

Customer Drawing
 Installation Instructions