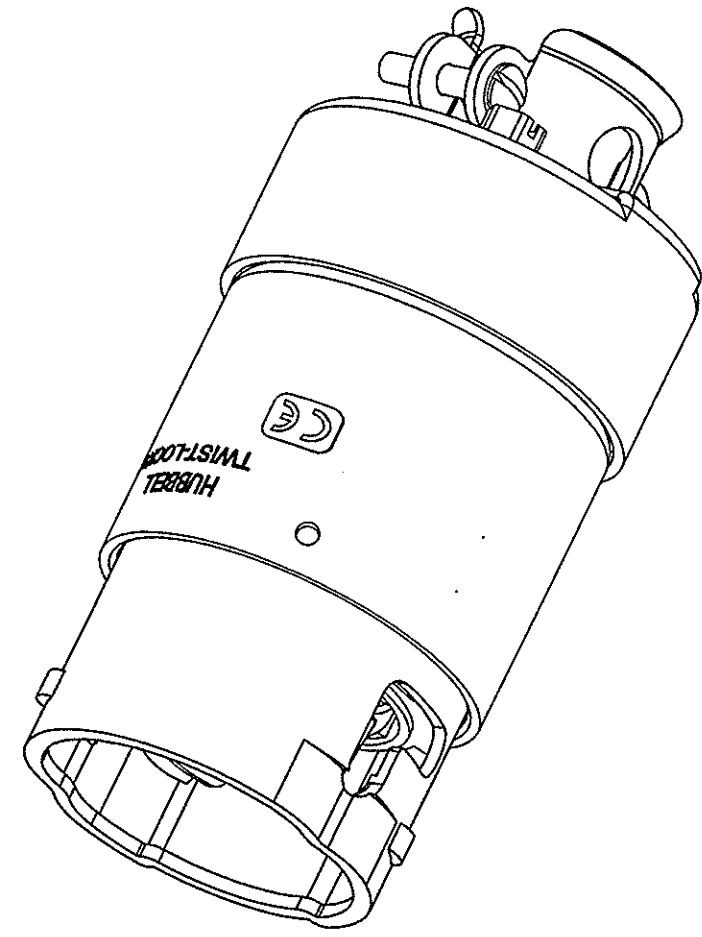
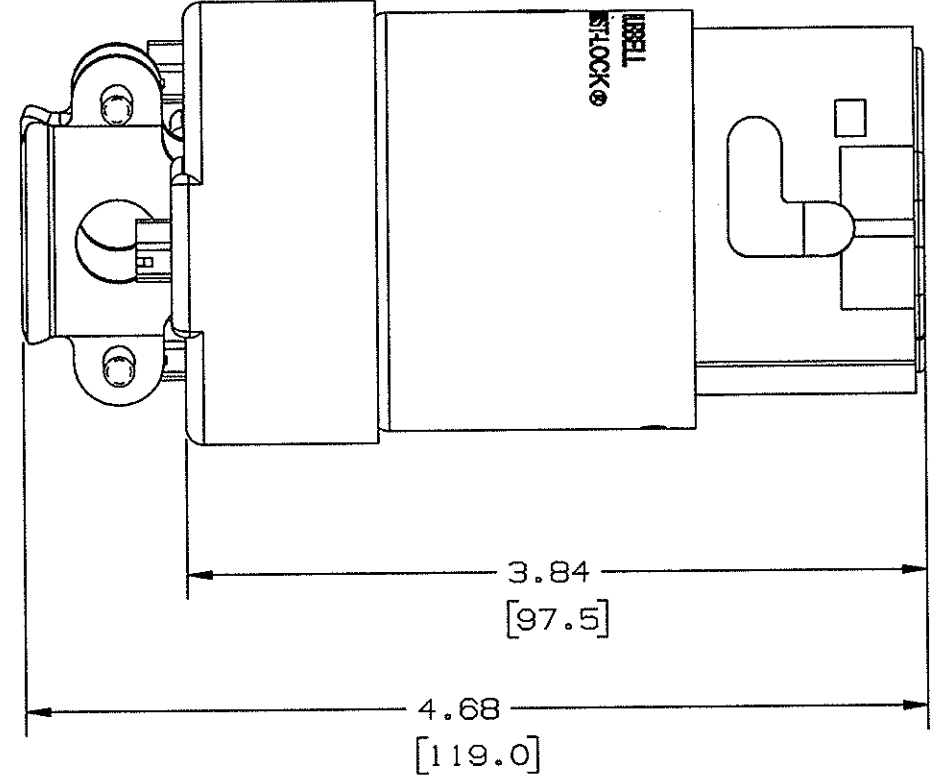
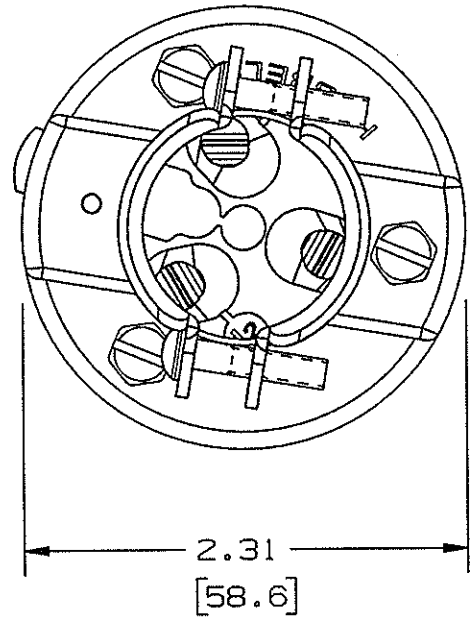


M-11741 2



LIST OF PARTS		
DESCRIPTION	MATERIAL	FINISH
BODY	PHENOLIC	
END PIECE	PHENOLIC	
BASE	PHENOLIC	
TERMINAL (L)	COPPER	BLACK DYE
TERMINAL (G)	COPPER	GREEN FINISH
TERMINAL (N)	COPPER	NICKEL PLATE
COVERS	BRASS	NICKEL PLATE
CORD RETAINER	ELASTOMER	
CORD CLAMPS	BRASS	NICKEL PLATE
RIVET	BRASS	NICKEL PLATE
CONTACT SPRINGS	BRASS	NICKEL PLATE
CONTACTS	BRASS	NICKEL PLATE
PRESSURE SCREWS	SS.	
#10-32 HEX. HD. SCRS	BRASS	NICKEL PLATE
#8-32 RD. HD. SCRS	BRASS	NICKEL PLATE

DIMENSION SHEET FOR CAT. NO. SEE TABLE

REPAIRABLE  NON-REPAIRABLE

SYM	REVISIONS	APP	DATE
3	REMOVED "MADE IN USA" MARKING PER DCN 18426. MYA	DJP	11/3/11
2	"CE" MARKING ON LABEL WAS STAMPED ON HOUSING PER DCN #17402. DLI	DLI	01/07/11
1	RELEASED PER DCN #16965. DLI	DLI	10/19/10

THE DESIGN AND DIMENSIONS OF THE PRODUCT SHOWN ON THIS DRAWING ARE SUBJECT TO CHANGE WITHOUT NOTICE

TITLE	
63A MARINE TWIST LOCK CONNECTOR	
TOLERANCES UNLESS OTHERWISE SPECIFIED	WIRING DEVICE-KELLEMS HUBBELL INCORPORATED BRIDGEPORT, CT
FRACTIONS ± 1/64	DR. BY DLI
DECIMALS ± .005	TR. BY
ANGLES ± 2°	APP. BY
	SCALE NONE
	CHK'D BY
	DATE 9/15/10

M-11741 2

NOTES:  
 1. USE ONLY #6/3 AWG COPPER WIRE.  
 CORD RANGE: Ø.97 TO 1.1 INCH, TYPE STOW OR STOW-A.  
 2. ALL DIMENSIONS ARE INCHES [mm].

CAT. No.	CONFIGURATION	WIRING TERMINAL VIEW	RATING
HBL363CRC			63A 230V. 2-POLE 3-WIRE