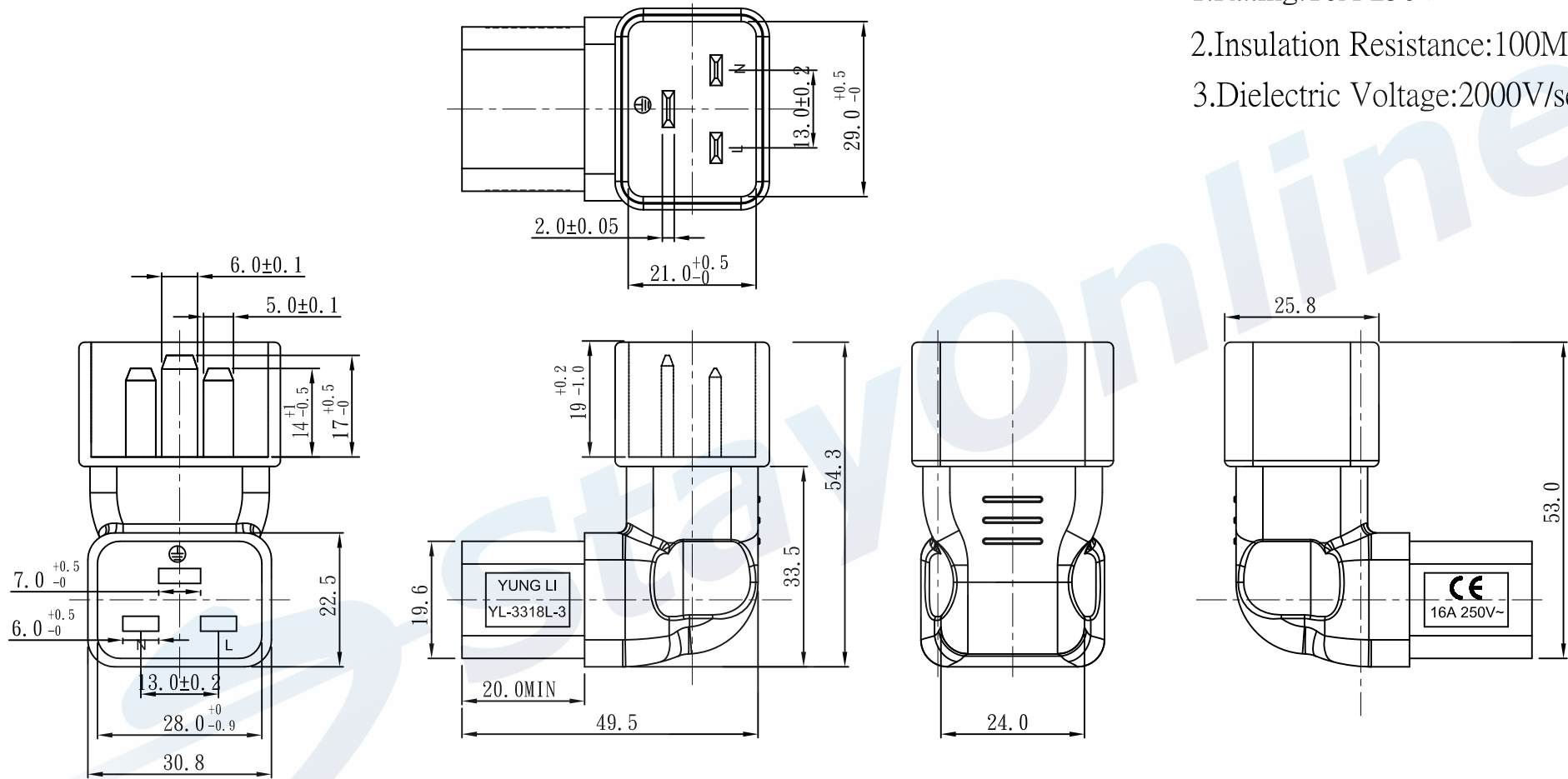


CE



Note:

1. Rating: 16A 250V
2. Insulation Resistance: 100MΩ
3. Dielectric Voltage: 2000V/sec

TOLERANCE >0±0.30 >1.0±0.50 >10.0±1.0 >20.0±2.0 Angle: ±1°	APPROVED		DATE		<b>StayOnline®</b>			
	CHECKED		DATE					
	DRAWN		DATE					
TYPE	YL-3318L-3-CE			P/N				
DRAWING NO.	5573			MATERIAL	P. V. C	UNIT	mm	
				SCALE	1:1			