

Straight Blade Devices
15A, 125V, 2 Pole, 3 Wire Grounding
Special Combination Duplex Receptacles

HUBBELL

Ordering Information

Description	Device Color	UPC	Catalog Number
Brown RTP, 1 feed, 1	Brown	783585236995	HBL4792

Listings

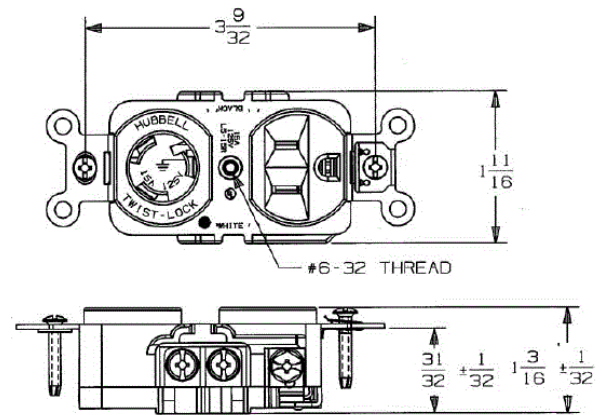
UL Listed to UL498 File E2186
 Certified to CSA, C22.2, No. 42 file 285

Specifications

Face	Reinforced thermoplastic polyester
Base	Reinforced thermoplastic polyester
Power Contacts	.032" (.81) Brass

Performance

Electrical	
Current Interrupting	Certified for current interrupting at full rated current
Dielectric Voltage	Withstands 2,000V minimum
Mechanical	
Product Identification	Ratings are a permanent part of the device
Terminal Accommodation	#14-#10 AWG copper stranded or solid conductor only
Terminal Identification	Terminals identified in accordance with UL 498 and CSA
Environmental	
Flammability	UL 94 V-2 or better
Operating Temperatures	Maximum continuous 75°C; minimum -40°C (w/o impact)



Online Resources

Customer Use Drawing
 eCatalog
 Installation Instructions
Accessories

Wallplate or Weatherproof Cover

Duplex Opening

Dimensions in Inches (mm)

Hubbell Wiring Device-Kellems • Hubbell Incorporated (Delaware) • 40 Waterview Drive • Shelton, CT 06484

Phone (800) 288-6000 • Fax (800) 255-1031 • Specifications subject to change without notice.

