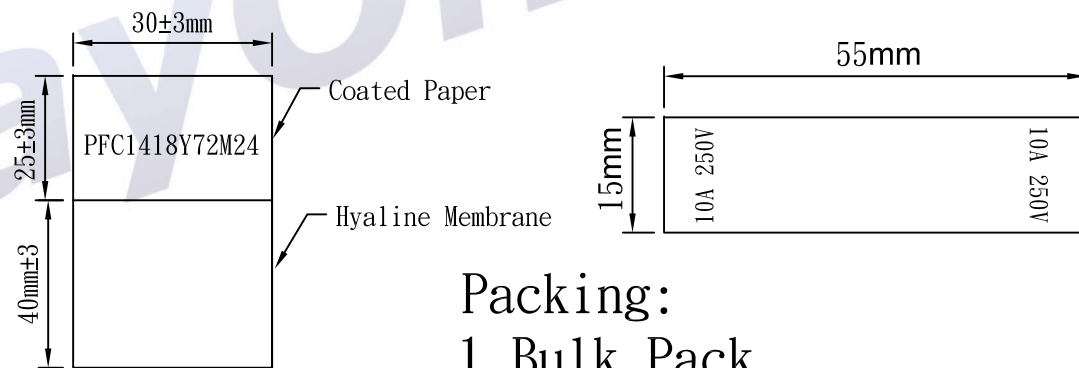
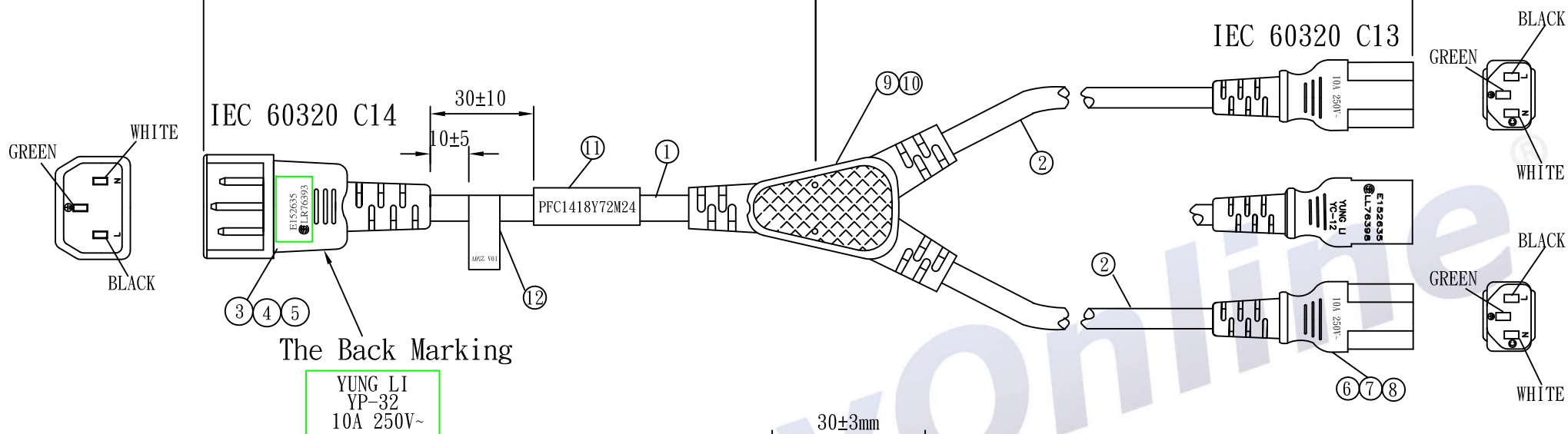




(48") 1220±50

(24") 610±30



Packing:
 1. Bulk Pack.
 2. Bundles of 10 Pieces.

NO.	SPECIFICATION	Q' TY	REMARK
1	SJT 18/3C 105°C BLACK	1PC	
2	SJT 18/3C 105°C BLACK	2PCS	
3	YP-32 PVC PLASTIC:50P BLACK	15g/PC	
4	YP-32 INNER BODY:2 X 4 BLACK	1PC	
5	TER:98672	3PCS	
6	YC-12 PVC PLASTIC:50P BLACK	18g/PC	
7	TER:97740BS-0	6PCS	
8	YC-12 INNER BODY	2PCS	
9	SR-6 PVC PLASTIC:50P BLACK	8g/PC	
10	TER:99143	3PCS	
11	LABEL:(40+25)*30mm	1PC	
12	LABEL: 55x15	1PC	

Tolerance >0±0.30 >1.0±0.50 >10.0±1.0 >20.0±2.0 Angle: ±1°	Approved		Date		StayOnline®			
	Checked		Date					
	Drawn	SUKI	Date	12.07.10	Customer			
	Cat. No.	YP-32/SR6+YC-12*2			P/N.	PFC1418Y72M24		
	Drawing No.	3783		Rev.	B	Material	P.V.C	Unit
					Scale			