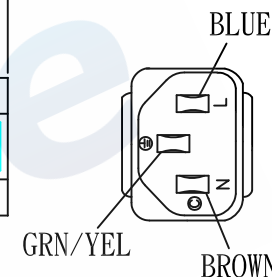
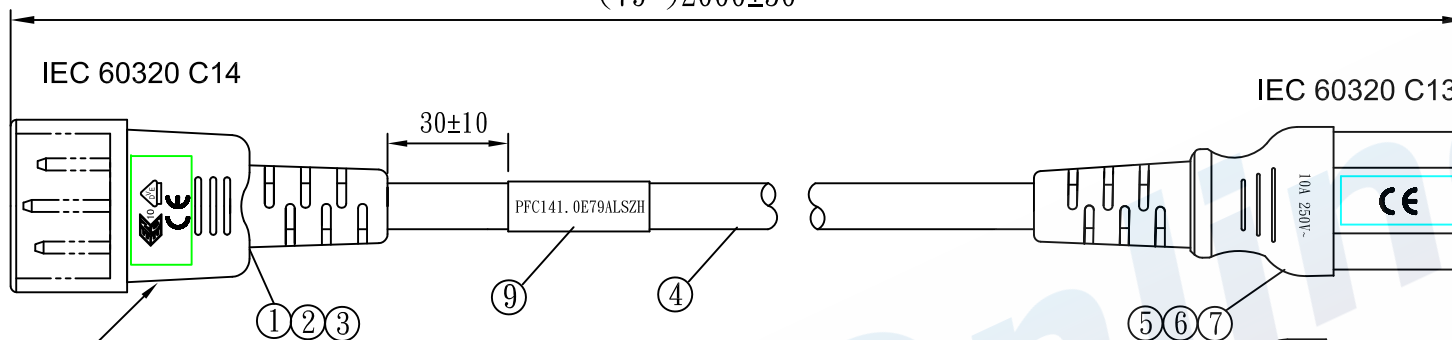
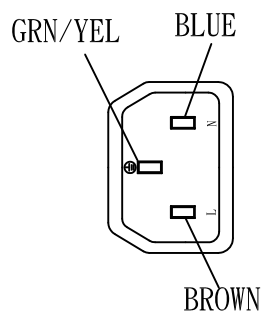


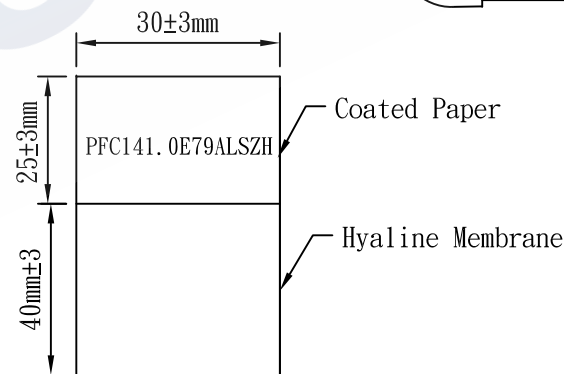
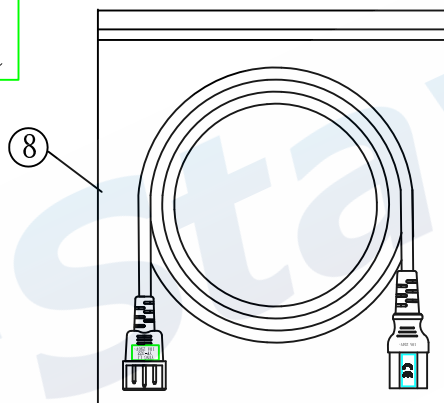


(79") 2000±50



The Back Marking

YUNG LI  
YP-32Z  
10A 250V~



MARKING:

YUNG LI H05Z1Z1-F 3G 1.0mm<sup>2</sup> <VDE> CE LSZH + HFFR

NO.	SPECIFICATION	QTY	REMARK
1	YP-32Z TPE PLASTIC:50P Gray LSZH	15g/PC	
2	TER:98672BS-1	3PCS	
3	INNER BODY: 2X4 Gray LSZH	1PC	
4	H05Z1Z1-F 1.0/3C Gray LSZH	1PC	
5	TER:97740	3PCS	
6	YC-12Z INNER BODY LSZH	1PC	
7	YC-12Z TPE PLASTIC:50P Gray LSZH	18g/PC	
8	LOCK BAG:250*200*0.04mm	1PC	
9	LABEL: (40+25)*30mm	1PC	

TOLERANCE >0±0.30 >1.0±0.50 >10.0±1.0 >20.0±2.0 Angle: ±1°	APPROVED	DATE	<b>StayOnline</b> <sup>®</sup>				
	CHECKED	DATE					
DRAWN	DATE	CUSTOMER					
TYPE	YP-32Z/YC-12Z		P/N	PFC141. 0E79ALSZH			
DRAWING NO.	3814	REV	B	MATERIAL	TPE	UNIT	mm
				HEFT(g)			