

Straight Blade Devices
20/16A, 250V AC, 2 Pole, 3 Wire Grounding
Plug IEC 320 Compatible

HUBBELL



Features

- Compatible with IEC320
- Hinged one piece body design for easy assembly
- Two captive multiple drive assembly screws

Ordering Information

Description	Device Color	UPC	Catalog Number
IEC Configuration compatible straight blade Valise® plug.	Black	783585777061	H320P

Listings

UL Listed 20A 250V AC-File No. E1706
CSA certified 20A 250V AC-File No. 17337

Specifications

Device Type	2 Pole + earth
Housing	Nylon
Terminal Retainer	Nylon
Contact Blades	.040" (1.0) Brass
Terminal Screws	Stainless steel
Terminal Clamp	Nickel plated steel
Assembly Screws	Zinc plated steel

Performance

Electrical

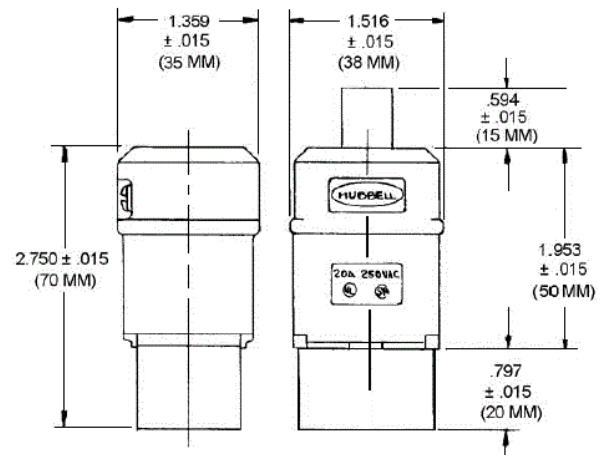
Dielectric Voltage	Withstands 2,000V minimum
Rating	16A 250V AC for European service; 20A 250V AC for North American service

Mechanical

Cord Accommodation	.325" - .475" (8.0-12.0)
Terminal Accommodation	North American – #16-12 AWG stranded or solid copper conductor only. International – 1.55mm ² -2.5mm ²
Terminal Identification	Terminals identified in accordance with UL 498 and CSA

Environmental

Flammability	UL 94 HB or better
IP Suitability	IP20
Operating Temperatures	Maximum continuous 75°C; minimum -40°C (w/o impact)



Resources

Customer Use Drawing
eCatalog

Dimensions in Inches (mm)

Hubbell Wiring Device-Kellems • Hubbell Incorporated (Delaware) • 40 Waterview Drive • Shelton, CT 06484

Phone (800) 288-6000 • Fax (800) 255-1031 • Specifications subject to change without notice.

