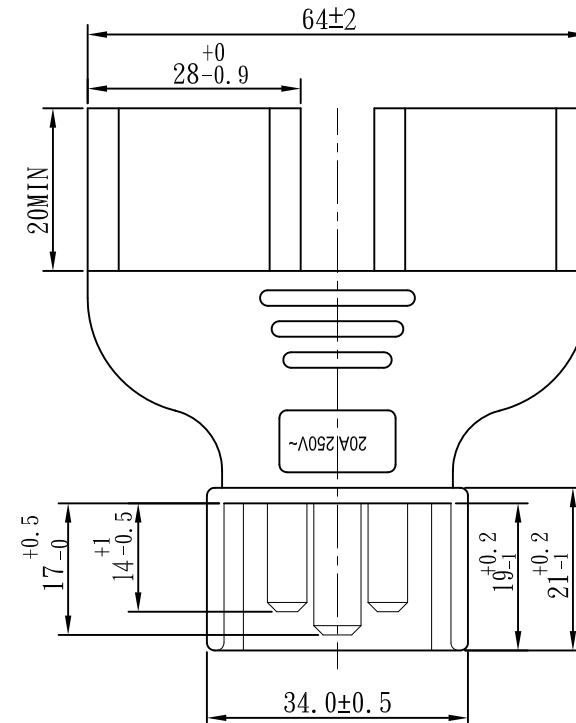
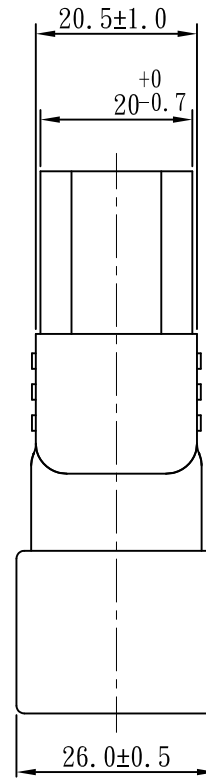
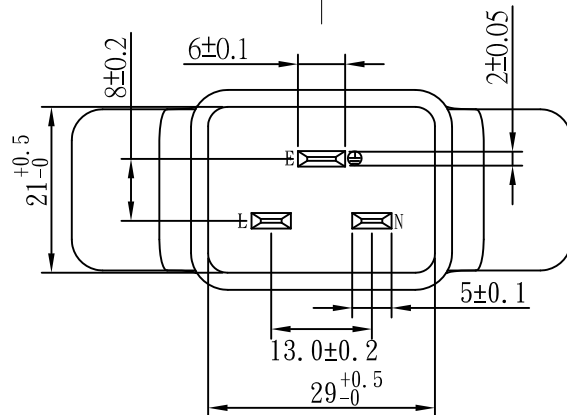
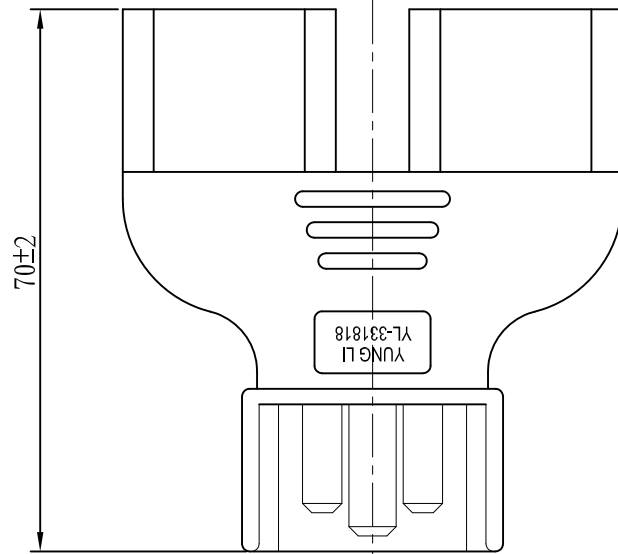
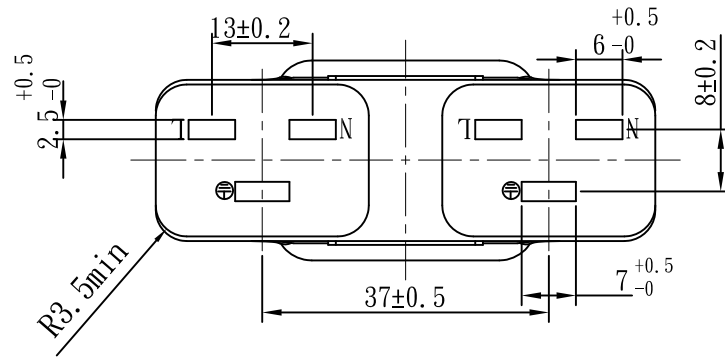


Two IEC 60320 C19s to IEC 60320 C20 Plug



Note:

1. Rating: 20A 250V
2. Insulation Resistance: 100MΩ
3. Dielectric Voltage: 2000V/sec

TOLERANCE >0±0.30 >1.0±0.50 >10.0±1.0 >20.0±2.0 Angle: ±1°	APPROVED		DATE		StayOnline®			
	CHECKED		DATE					
	DRAWN		DATE					
	TYPE				P/N			
	DRAWING NO.				SCALE	1:1	UNIT	mm