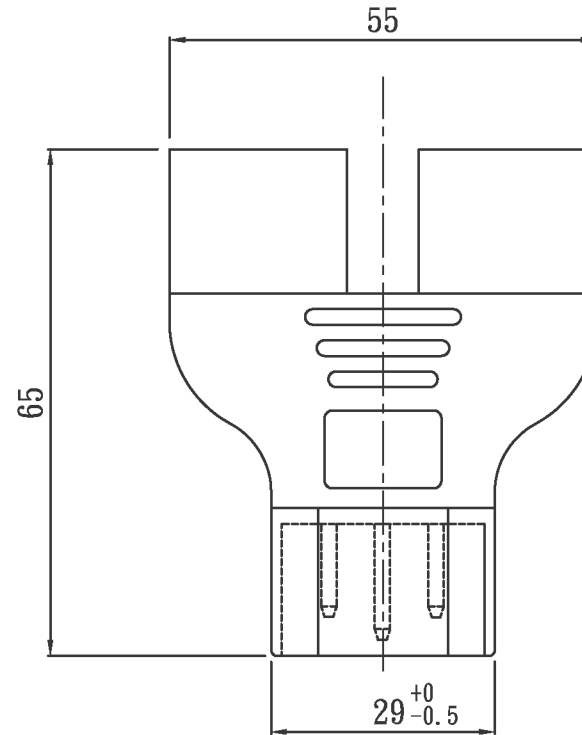
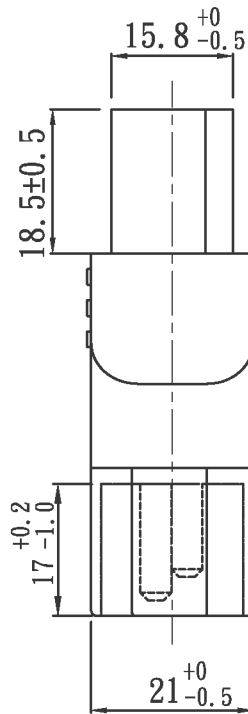
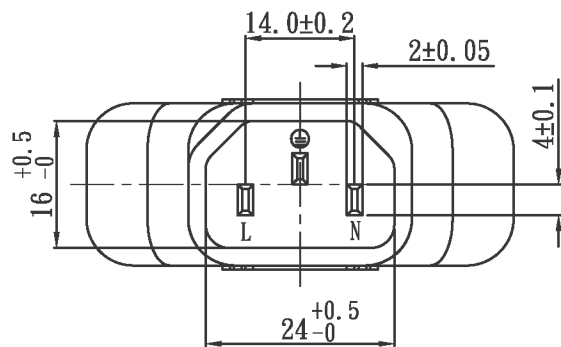
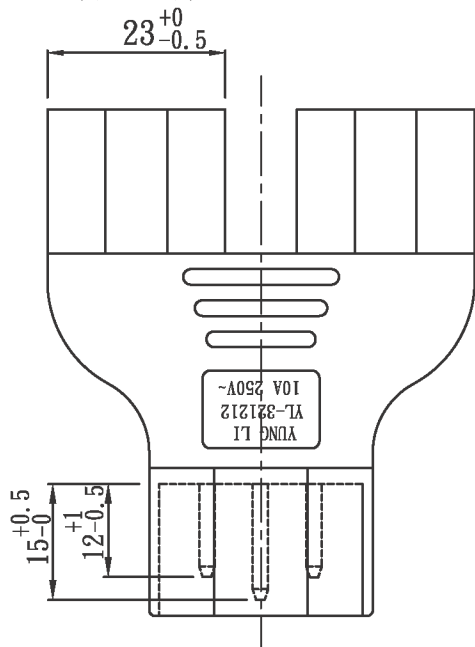
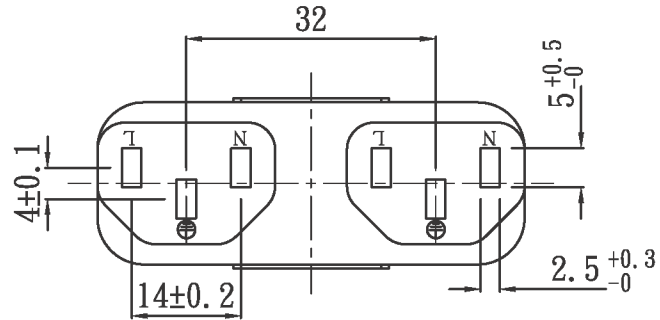


# Two IEC 60320 C13s to IEC 60320 C14 Plug



## Note:

1. Rating: 10A 250V
2. Insulation Resistance: 100MΩ
3. Dielectric Voltage: 2000V/sec

TOLERANCE >0±0.30 >1.0±0.50 >10.0±1.0 >20.0±2.0 Angle: ±1°	APPROVED	DATE	<h1>PowerFig</h1> <p>www.powerfig.com</p>			
	CHECKED	DATE				
	DRAWN	DATE				
TYPE	YL-321212		P/N			
DRAWING NO.	CY-A321212		MATERIAL	P. V. C	UNIT	mm
	SCALE	1:1				