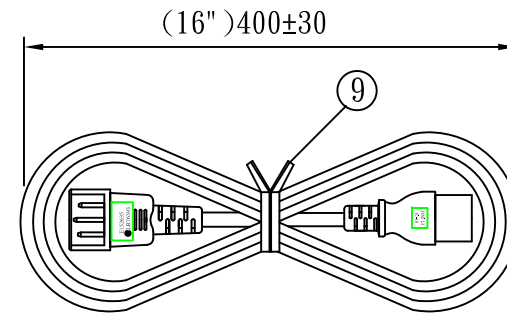
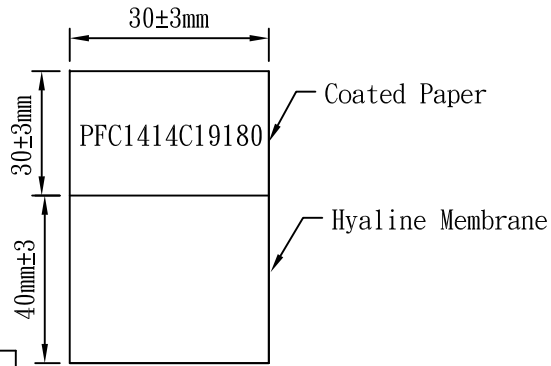
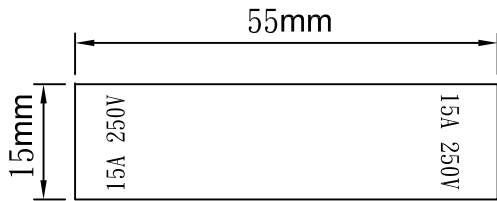
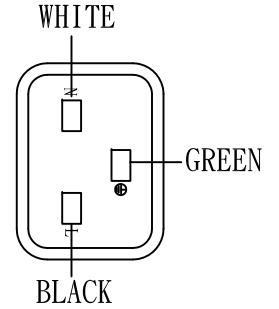
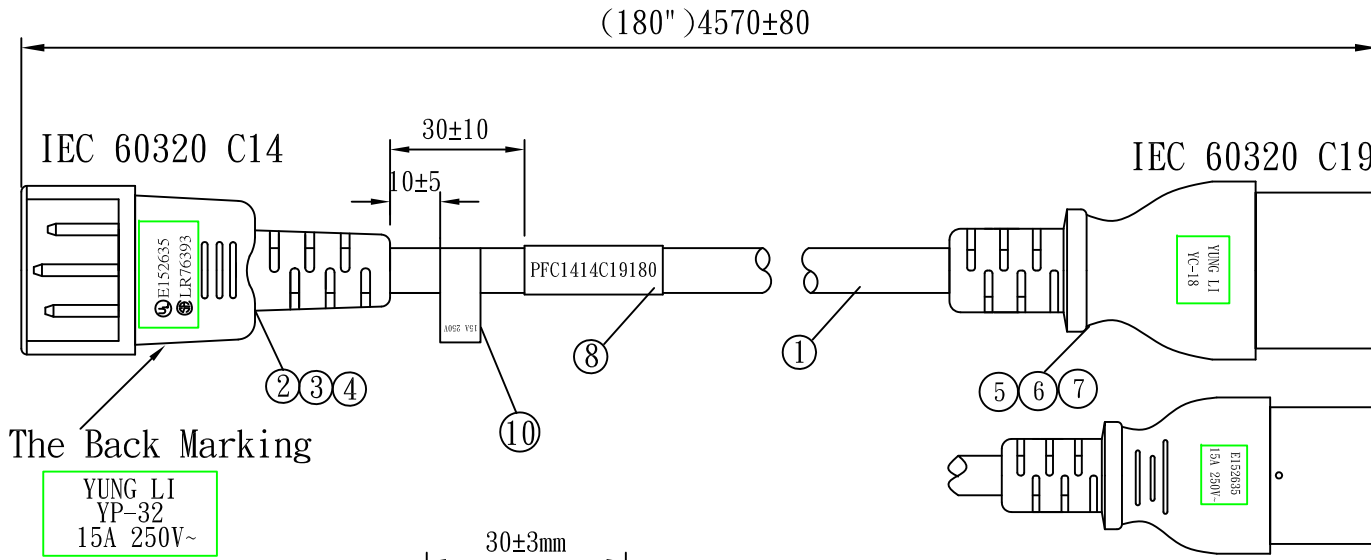
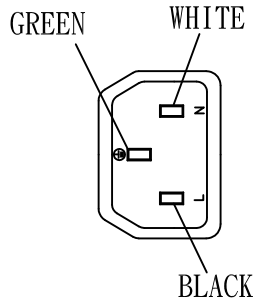


REV	DATE	describe
H	2014.08.28	Plug increase the UL MARK, change the ampera from 16A to 15A for YC-18



NO.	SPECIFICATION	Q' TY	REMARK
1	SJT 14/3C 105°C BLACK	1PC	
2	YP-32 PVC PLASTIC:35P BLACK	15g/PC	
3	TER:98672BS-1	3PCS	
4	INNER BODY: 2X4	1PC	
5	YC-18 PVC PLASTIC:50P BLACK	25g/PC	
6	YC-18 INNER BODY	1PC	
7	YC-18 TER:	3PCS	
8	LABEL:(40+30)*30mm	1PC	
9	MINI TIE:L=180mm BLACK	1PC	
10	LABEL:55*15mm	1PC	

TOLERANCE >0±0.30 >1.0±0.50 >10.0±1.0 >20.0±2.0 Angle: ±1°	APPROVED		DATE		<b>StayOnline®</b>			
	CHECKED		DATE					
	DRAWN	SUKI	DATE	14.08.28	CUSTOMER			
	TYPE	YP-32/YC-18			P/N	PFC1414C19180		
	DRAWING NO.	CY-U1690	REV	H	MATERIAL	P. V. C	UNIT	mm
				SCALE				