

IEC Pin and Sleeve

60A, 125V, 2 Pole, 3 Wire

Watertight Inlet

Features

- Solid one-piece pins for reliable electrical contact
- Super tough insulated non-metallic housing
- Raised collar surrounds each phase pin to prevent electrical tracking

Ordering Information

Description	UPC	Catalog Number
Watertight IEC Pin and Sleeve Inlet	783585403724	HBL360B4W

Device Color

Yellow

Standards

UL Listed, File E146032
CSA Certified File LR280C
UL Classified to IEC 60309-1 IEC 60309-2

Specifications

Housing	Zytel® 101 Nylon
Locking Ring	Reinforced Thermoplastic Polyester
Mounting Flange	Zytel® 101 Nylon
Contact Carrier	High-Impact Thermoset
Gaskets	Solid Neoprene

Performance

Electrical	
Current Interrupting	Certified for current interrupting at full rated current

Dielectric Voltage	Withstand 3000V AC
Max. Working Voltage	600V RMS

Mechanical

Impact Resistance	Per CSA C22.2 No. 182.1 / UL1682
Product Identification	Ratings are a permanent part of the device housing
Terminal Identification	Terminals identified in accordance with North American and IEC conventions

Environmental

Flammability	HB or better per UL 94 or CSA C22.2 No. 0.17
Ingress Protection	IP67 Suitability
Moisture Resistance	Watertight per IEC 60309-1
Operating Temperatures	Maximum Continuous 75°C; Minimum - 40°C w/o impact

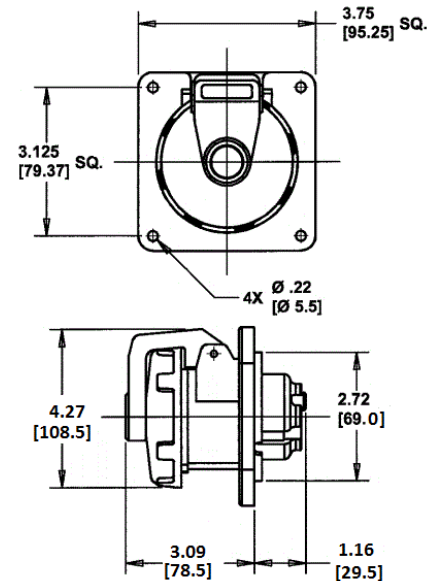
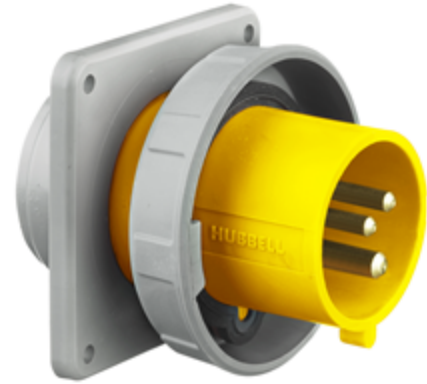
Accessories

Closure Cap
Cord Clamp and Locking Ring
Back Boxes

Online Resources

Customer Use Drawing
eCatalog
Installation Instructions

HUBBELL



Dimensions in Inches (mm)

Hubbell Wiring Device-Kellems • Hubbell Incorporated (Delaware) • 40 Waterview Drive • Shelton, CT 06484

Phone (800) 288-6000 • Fax (800) 255-1031 • Specifications subject to change without notice.

