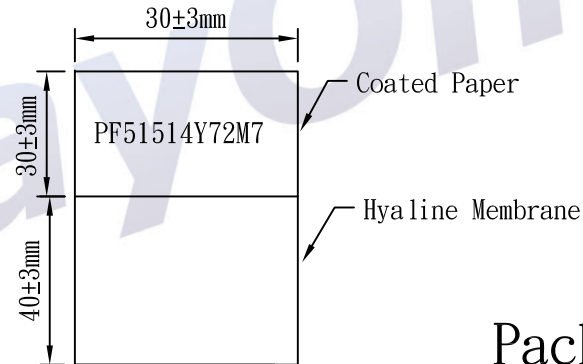


NO.	SPECIFICATION	QTY	REMARK
1	SJT 14/3C 105°C BLACK	1PC	
2	SJT 14/3C 105°C BLACK	2PCS	
3	YP-12 PVC PLASTIC:35P BLACK	19g/PC	
4	TER:98675BS-1	2PCS	
5	YP-12 INNER BODY	1PC	
6	TER:98475	1PC	
7	YC-15 PVC PLASTIC:35P BLACK	36g/PC	
8	"D"TER:98575	2PCS	
9	YC-15 INNER BODY	2PCS	
10	TER: 98752	4PCS	
11	SR-6 PVC PLASTIC:50P BLACK	1PC	
12	TER:96146	3PCS	
13	LABEL:(40+30)X30mm	1PC	
14	Warning Label: 230*36mm	1PC	LABEL-205
15	UL LABEL: 15A 125V	1PC	



* UL File number:
US Molding: E250704
China Molding: E152635

Packing:
1. Bulk Pack.
2. Bundles of 10 Pieces.

Tolerance >0±0.30 >1.0±0.50 >10.0±1.0 >20.0±2.0 Angle: ±1°	Approved		Date		StayOnline®			
	Checked		Date					
	Drawn	huangfang	Date	16.6.2	Customer			
	Cat. No.	YP-12/SR6+YC-15*2		P/N.	PF51514Y72M7			
	Drawing No.	3461		Rev.	B	Material	P. V. C	Unit
					Scale			