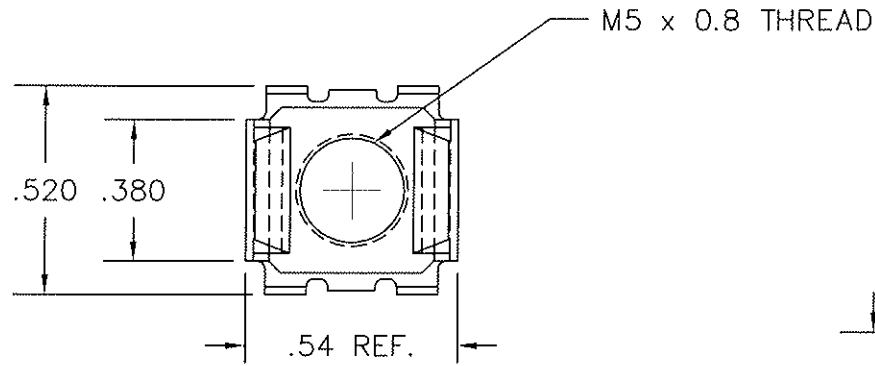
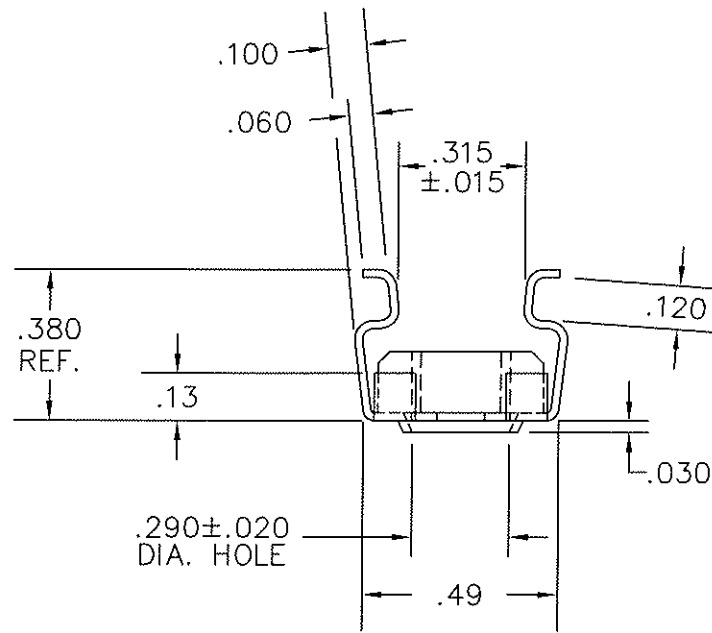
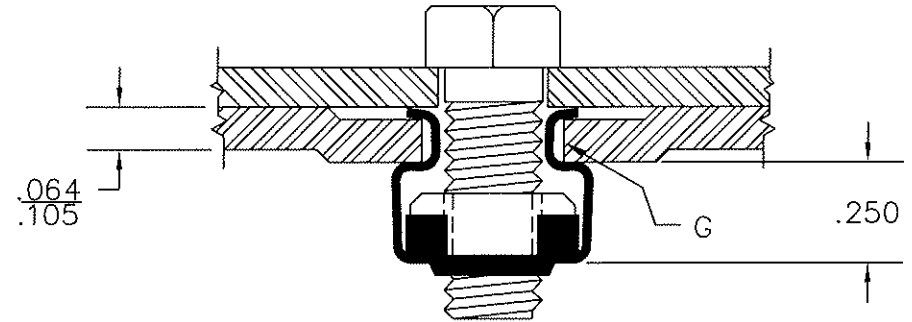


TOLERANCES
UNLESS NOTED

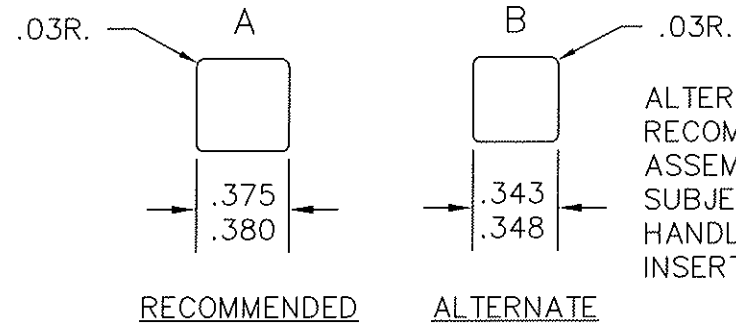
2 PLACE	+/- .015
3 PLACE	+/- .010
ANGLES	+/- 2°



TYPICAL APPLICATION



G MOUNTING HOLE



ALTERNATE HOLE LAYOUT
RECOMMENDED WHERE
ASSEMBLY WILL BE
SUBJECT TO EXCESSIVE
HANDLING PRIOR TO
INSERTION OF SCREW

- NOTES: 1. M508 & .064 TO APPEAR ON SURFACE OF PART.
② .105
2. FINISH: PHOSPHATE & OIL

Stay Online

SCALE: 2 TIMES

DRAWN BY: SJZ

DATE: 24 AUG 01

CAD FILE:

Item #5811 Cage Nut Snap In/1 M5 Black

MATERIAL: .020 THK. SPRING STEEL

DRAWING NUMBER