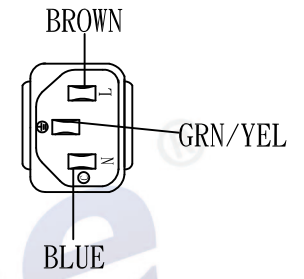
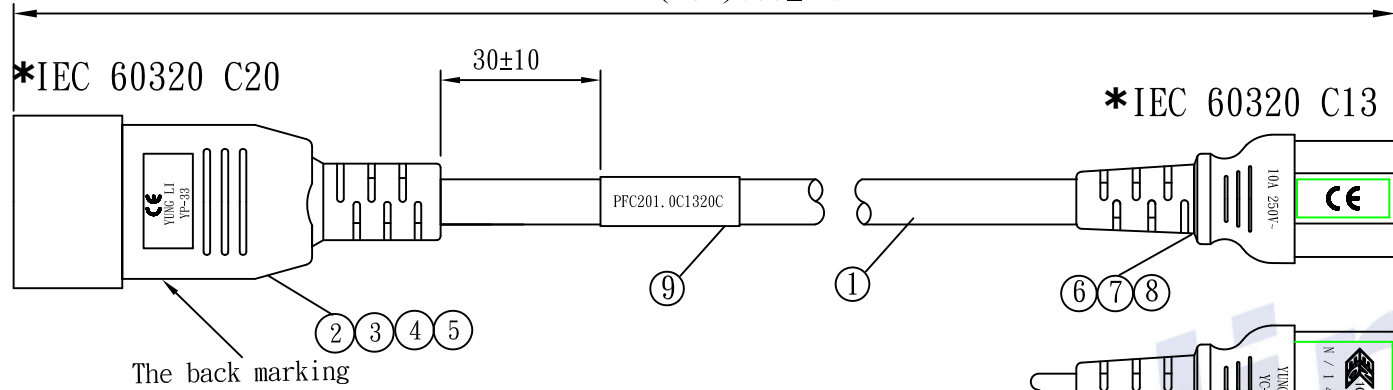
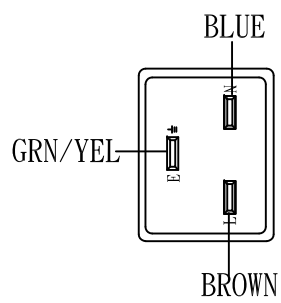


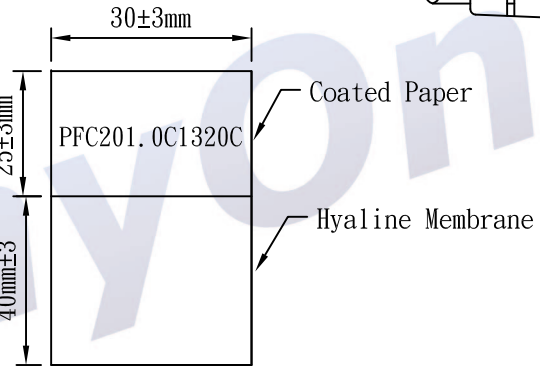


CE RoHS DVE N/14877

(20") 500±35



The back marking



* UL File number:
US Molding: E250704
China Molding: E152635

Packing:
1. Bulk Pack.
2. Bundles of 10 Pieces.

NO.	SPECIFICATION	QTY	REMARK
1	H05VV-F 1.0/3C Blue(PT293C)	1PC	
2	TER:97606BS-1	2PCS	
3	TER:97607BS-1	1PC	
4	YP-33 INNER BODY Blue(PT293C)	1PC	
5	YP-33 PVC PLASTIC:35P Blue(PT293C)	32g/PC	
6	TER:97740	3PCS	
7	YC-12 INNER BODY	1PC	
8	YC-12 PVC PLASTIC:35P Blue(PT293C)	18g/PC	
9	LABEL:(25+40)*30m	1PC	

Tolerance >0±0.30 >1.0±0.50 >10.0±1.0 >20.0±2.0 Angle: ±1°	Approved		Date		StayOnline®			
	Checked		Date					
	Drawn	Huangfang	Date	16.9.2	Customer			
	Cat. No.	YP-33/YC-12			P/N.	PFC201.0C1320C		
	Drawing No.	1212		Rev.	B	Material	P.V.C	Unit
					Scale			