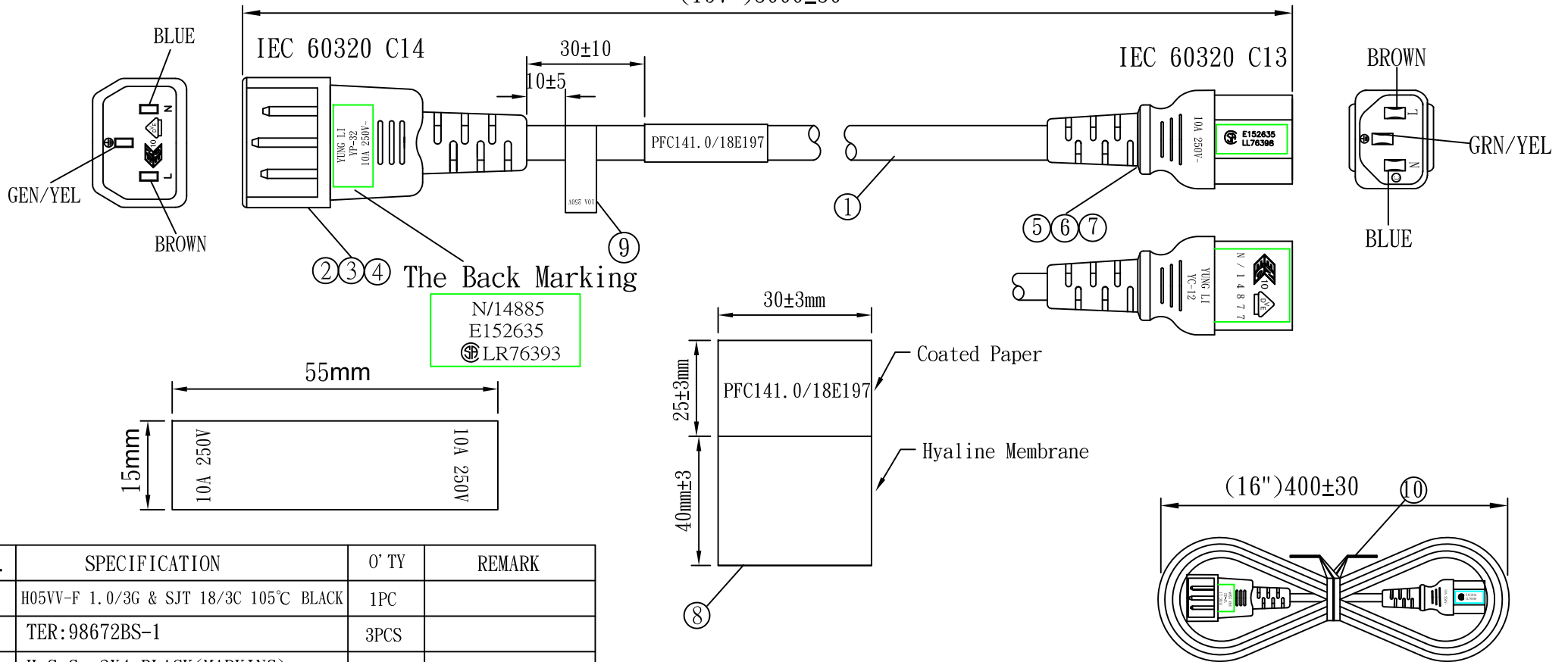


N/14885 cUL US



N/14877

(197") 5000±50



NO.	SPECIFICATION	QTY	REMARK
1	H05VV-F 1.0/3G & SJT 18/3C 105°C BLACK	1PC	
2	TER:98672BS-1	3PCS	
3	H. S. G: 2X4 BLACK(MARKING)	1PC	
4	YP-32 PVC PLASTIC:50P BLACK	15g/PC	
5	TER:97740	3PCS	
6	YC-12 INNER BODY	1PC	
7	YC-12 PVC PLASTIC:35P BLACK	18g/PC	
8	LABEL:(40+25)*30mm	1PC	
9	LABEL: 55*15mm	1PC	Label1-635
10	MINI TIE:L=180mm BLACK	1PC	

Tolerance >0±0.30 >1.0±0.50 >10.0±1.0 >20.0±2.0 Angle: ±1°	Approved		Date		StayOnline [®]			
	Checked		Date					
	Drawn	SUKI	Date	12.06.29	Customer			
	Cat. No.	YP-32/YC-12			P/N.	PFC141.0/18E197		
	Drawing No.	CY-V0842		Rev.	B	Material	P.V.C	Unit
					Scale			