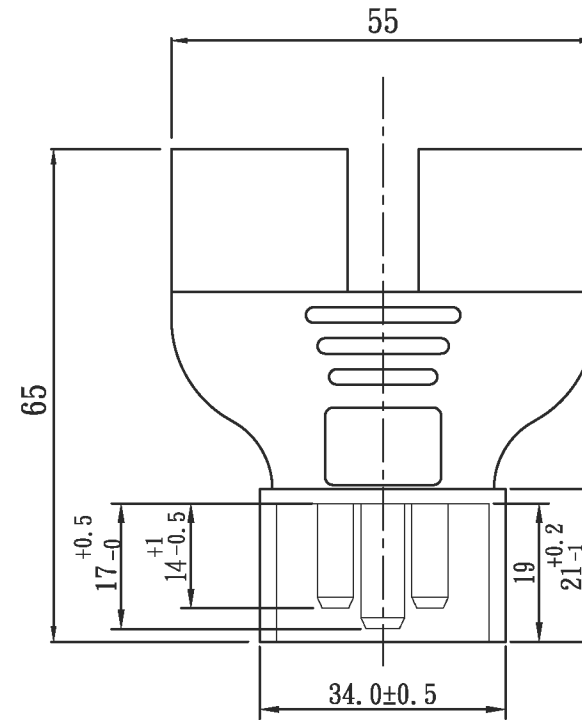
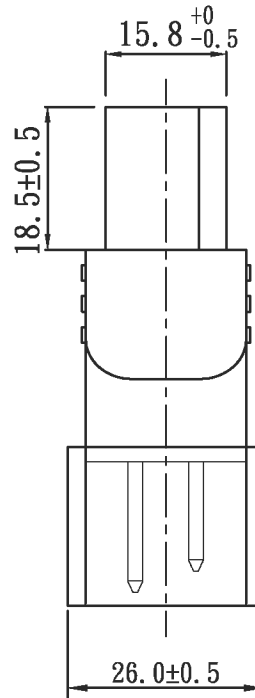
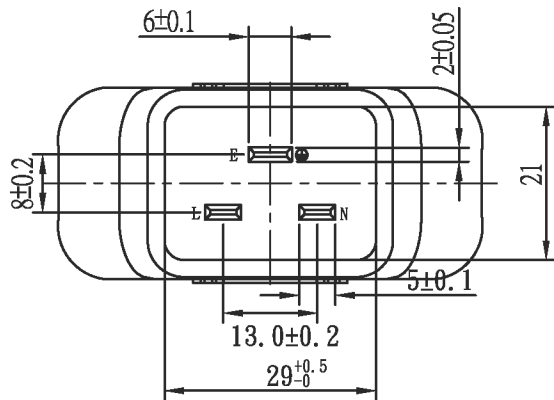
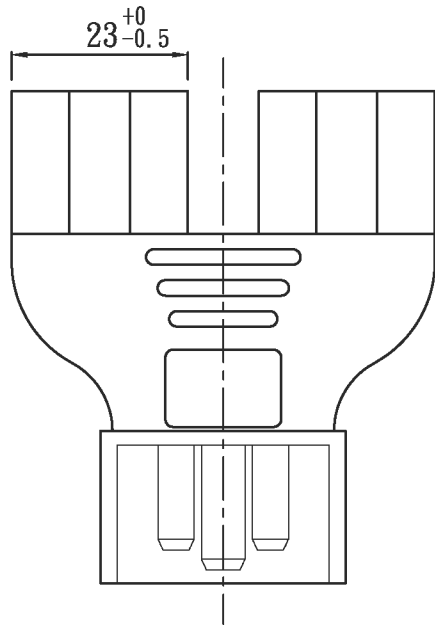
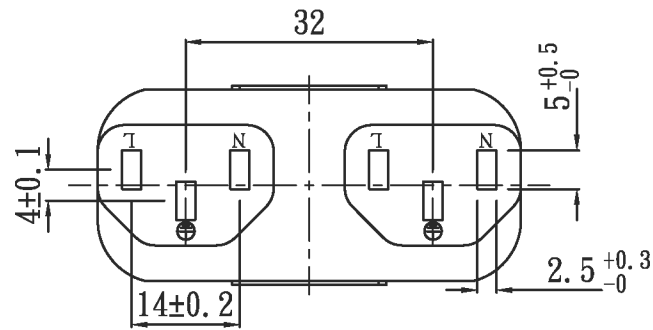


Two IEC 60320 C13s to IEC 60320 C20 Plug



Note:

1. Rating: 10A 250V
2. Insulation Resistance: 100MΩ
3. Dielectric Voltage: 2000V/sec

TOLERANCE >0±0.30 >1.0±0.50 >10.0±1.0 >20.0±2.0 Angle: ±1°	APPROVED		DATE		PowerFig www.powerfig.com			
	CHECKED		DATE					
	DRAWN	Huangfang	DATE	13.04.13	P/N			
	TYPE	YL-331212			MATERIAL	P. V. C	UNIT	mm
	DRAWING NO.	CY-A331212			SCALE	1:1	