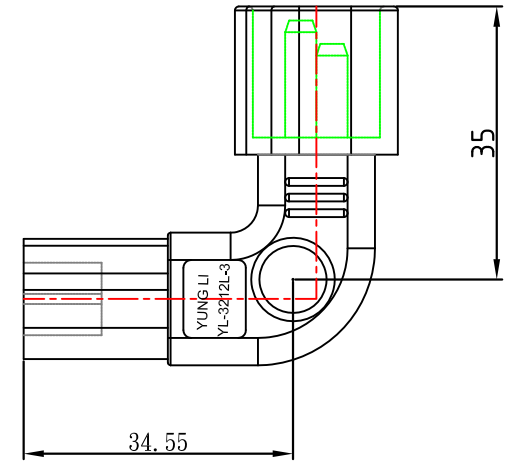
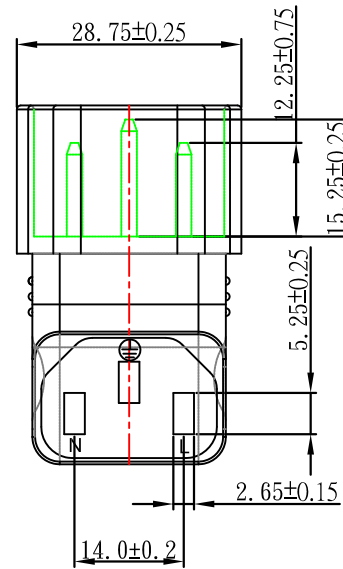
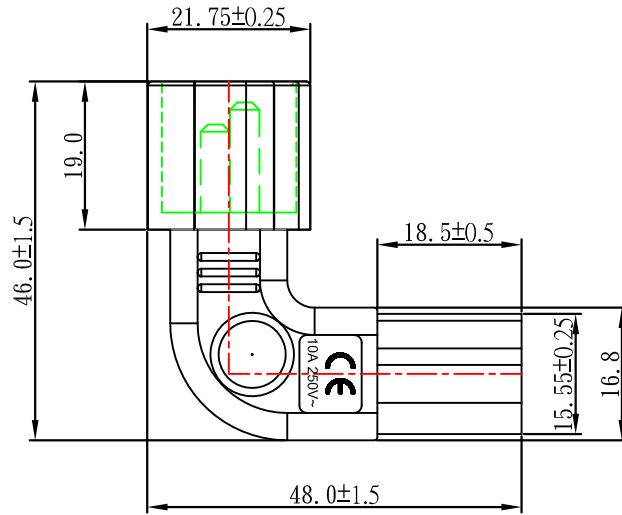
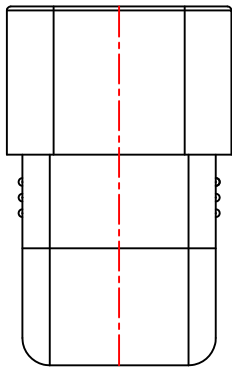
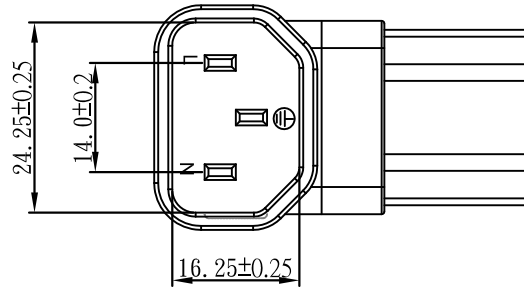


CE



Note:

1.Rating:10A 250V

2.Insulation Resistance:100MΩ

3.Dielectric Voltage:2000V/sec

TOLERANCE >0±0.30 >1.0±0.50 >10.0±1.0 >20.0±2.0 Angle: ±1°	APPROVED		DATE		<b>StayOnline®</b>				
	CHECKED		DATE						
	DRAWN		DATE						
	TYPE					P/N			
	DRAWING NO.					MATERIAL	P. V. C	UNIT	mm
					SCALE	1:1			