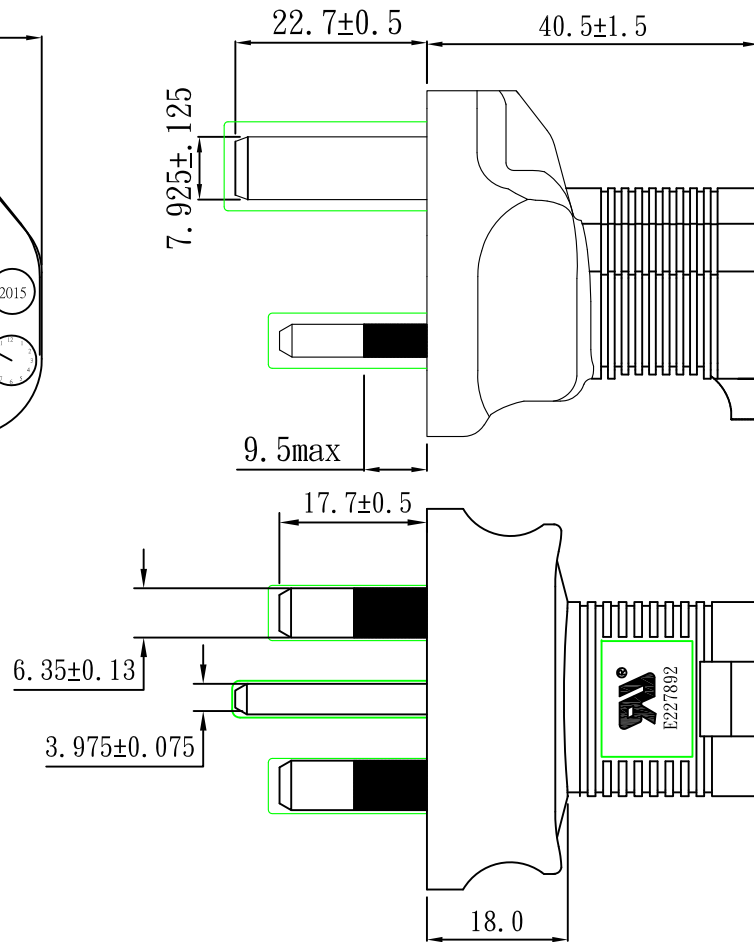
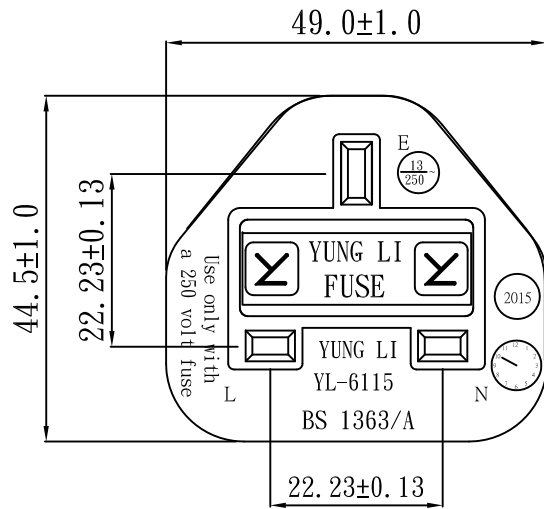


MARKING: YL-6115 YUNG-LI 13/250 BS1363/A

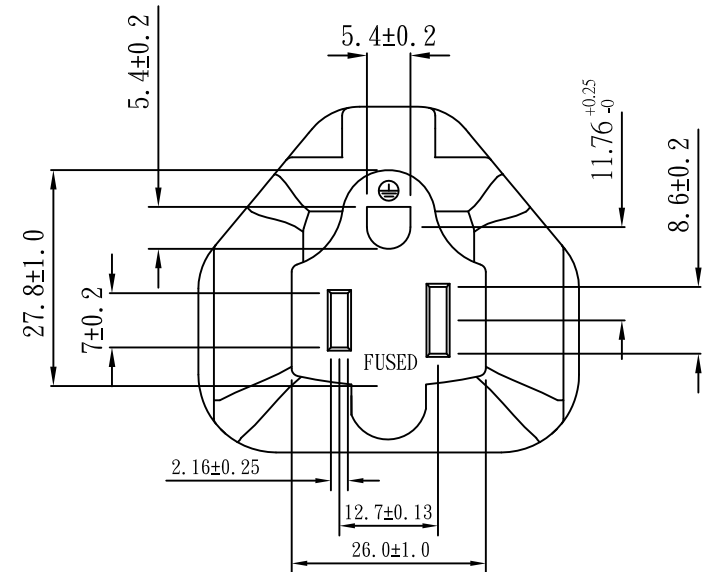


NEMA 5-15R to BS1363



Note:

1. Rating: 13A 250V~
2. Insulation Resistance: 100MΩ
3. Dielectric Voltage: 2000V/sec



TOLERANCE >0±0.30 >1.0±0.50 >10.0±1.0 >20.0±2.0 Angle: ±1°	APPROVED		DATE		<b>StayOnline®</b>			
	CHECKED		DATE					
	DRAWN	HAIYAN	DATE	15.12.22				
	TYPE	YL-6115(13A)			P/N			
	DRAWING NO.	4429			MATERIAL	P. V. C	UNIT	mm
				SCALE	1:1			