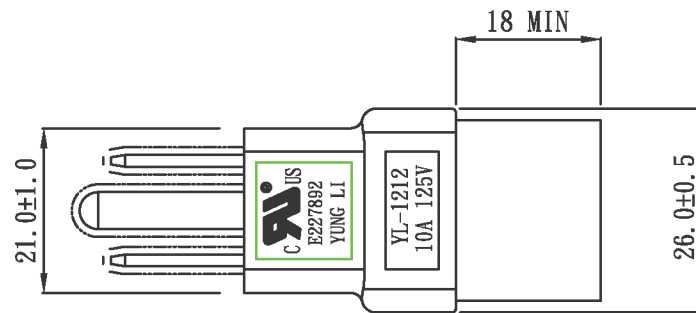
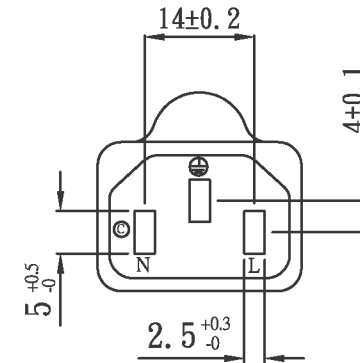
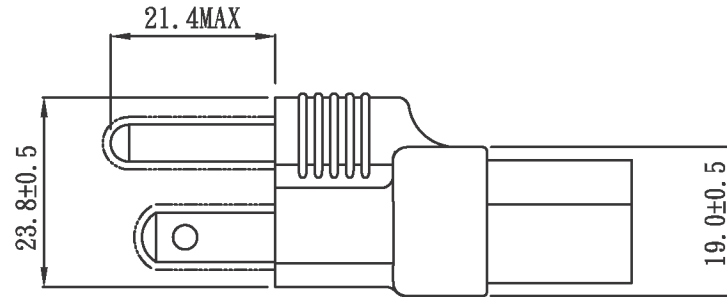
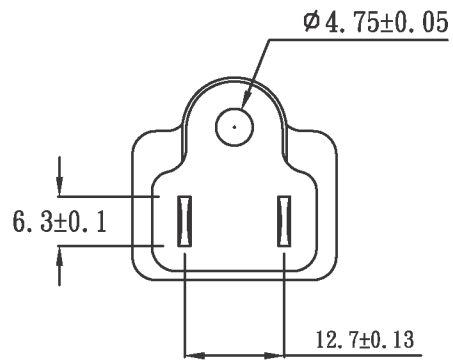
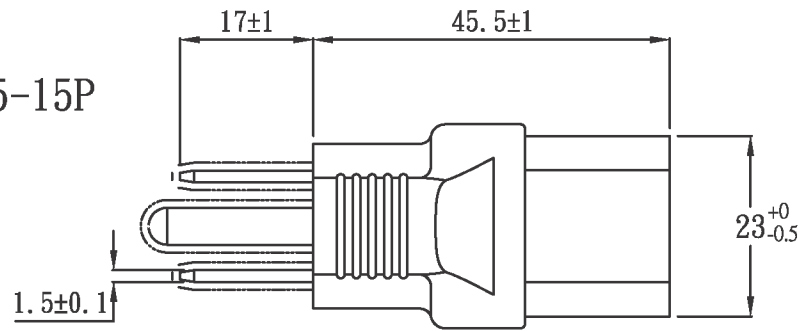




IEC 60320 C13 to NEMA 5-15P



Note:

- 1.Rating:10A 125V
- 2.Insulation Resistance:100MΩ
- 3.Dielectric Voltage:2000V/sec

TOLERANCE >0±0.30 >1.0±0.50 >10.0±1.0 >20.0±2.0 Angle: ±1°	APPROVED		DATE		<h1>PowerFig</h1> <p>www.powerfig.com</p>			
	CHECKED		DATE					
	DRAWN		DATE					
	TYPE	YL-1212			P/N			
	DRAWING NO.	CY-A1212			SCALE	1:1	UNIT	mm