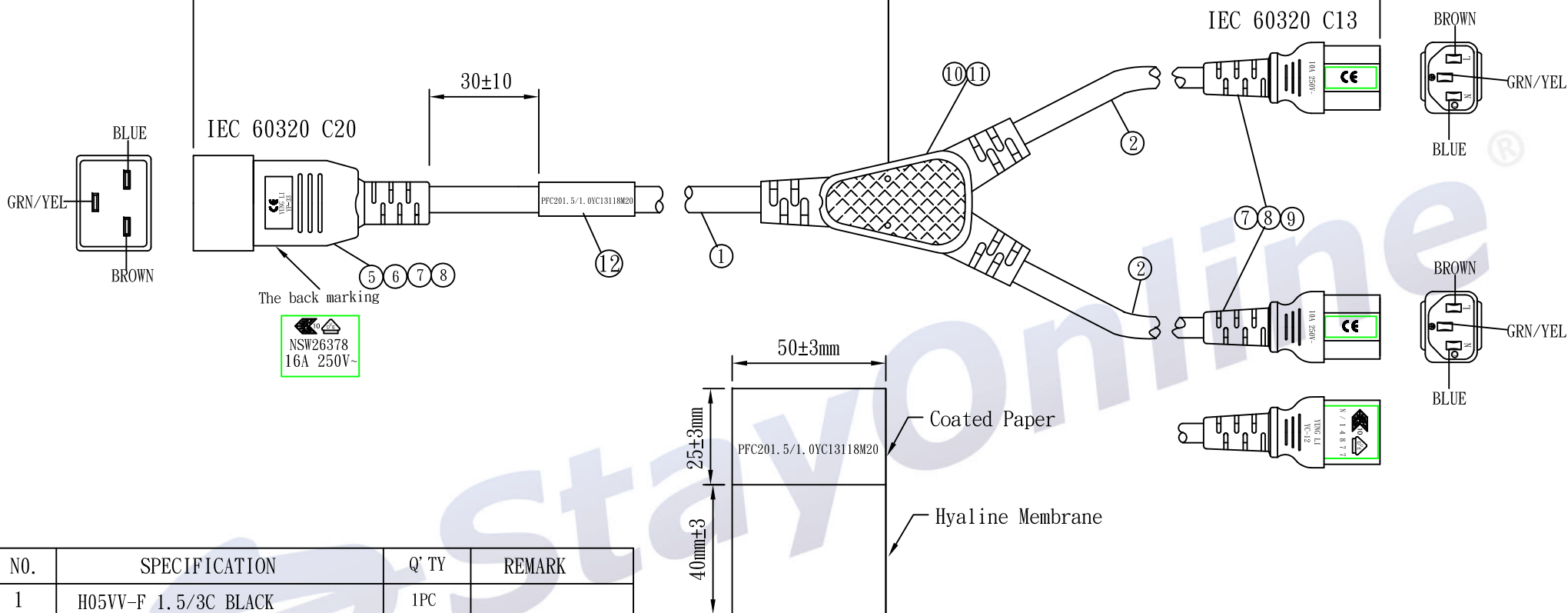




(98") 2500±50



(20") 500±30



| NO. | SPECIFICATION | Q' TY | REMARK |
|-----|-----------------------------|--------|--------|
| 1 | H05VV-F 1.5/3C BLACK | 1PC | |
| 2 | H05VV-F 1.0/3C BLACK | 2PCS | |
| 3 | TER:97606BS-1 | 2PCS | |
| 4 | TER:97607BS-1 | 1PC | |
| 5 | YP-33 INNER BODY | 1PC | |
| 6 | YP-33 PVC PLASTIC:35P BLACK | 32g/PC | |
| 7 | YC-12 PVC PLASTIC:35P BLACK | 36g/PC | |
| 8 | TER:97740 | 6PCS | |
| 9 | YC-12 INNER BODY | 2PCS | |
| 10 | SR6 PVC PLASTIC:50P BLACK | 9g/PC | |
| 11 | TER:96146 | 3PCS | |
| 12 | LABEL:(25+40)*50mm | 1PC | |

Packing:
 1. Bulk Pack.
 2. Bundles of 10 Pieces.

| | | | | | | | | |
|---|-------------|-------------------|------|----------|------------------------|----------|-------|------|
| Tolerance >0±0.30 >1.0±0.50 >10.0±1.0 >20.0±2.0 Angle: | Approved | | Date | | StayOnline® | | | |
| | Checked | | Date | | | | | |
| | Drawn | SUKI | Date | 15.01.08 | Customer | | | |
| | Cat. No. | YP-33/SR6+YC-12*2 | | P/N. | PFC201.5/1.0YC13118M20 | | | |
| | Drawing No. | 5181 | | Rev. | B | Material | P.V.C | Unit |