

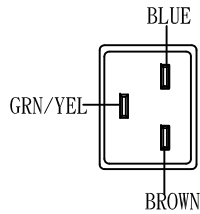


(63") 1600±50



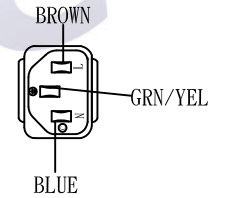
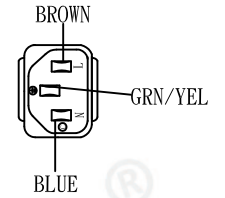
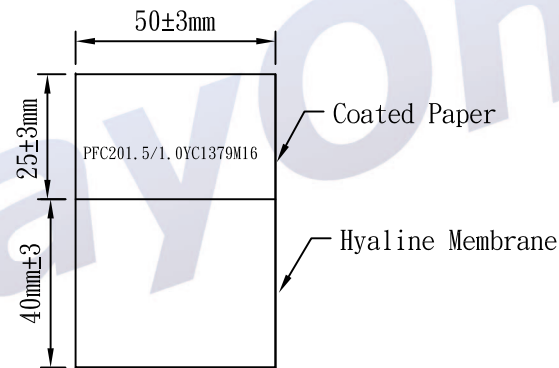
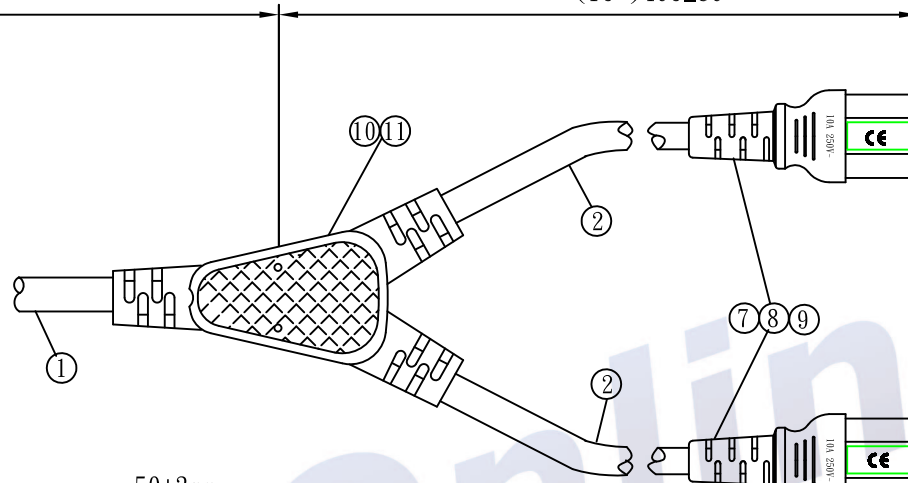
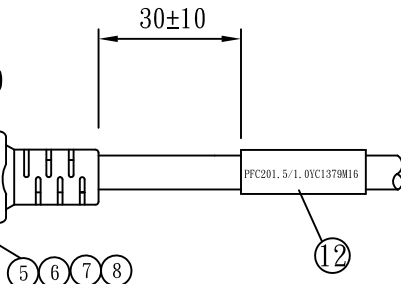
N/14877 CE

(16") 406±30



IEC 60320 C20

The back marking



NO.	SPECIFICATION	Q'TY	REMARK
1	H05VV-F 1.5/3C BLACK	1PC	
2	H05VV-F 1.0/3C BLACK	2PCS	
3	TER:97606BS-1	2PCS	
4	TER:97607BS-1	1PC	
5	YP-33 INNER BODY	1PC	
6	YP-33 PVC PLASTIC:35P BLACK	32g/PC	
7	YC-12 PVC PLASTIC:35P BLACK	36g/PC	
8	TER:97740	6PCS	
9	YC-12 INNER BODY	2PCS	
10	SR6 PVC PLASTIC:50P BLACK	9g/PC	
11	TER:96146	3PCS	
12	LABEL:(25+40)*50mm	1PC	

Packing:
 1. Bulk Pack.
 2. Bundles of 10 Pieces.

Tolerance >0±0.30 >1.0±0.50 >10.0±1.0 >20.0±2.0 Angle:	Approved		Date		StayOnline®			
	Checked		Date					
	Drawn	SUKI	Date	15.01.08	Customer			
	Cat. No.	YP-33/SR6+YC-12*2		P/N.	PFC201.5/1.0YC1379M16			
	Drawing No.	5185		Rev.	B	Material	P.V.C	Unit
					HEFT(g)			