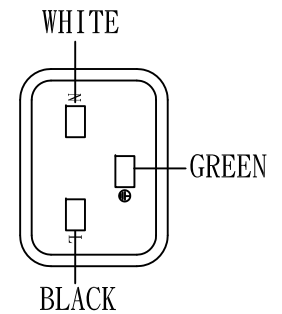
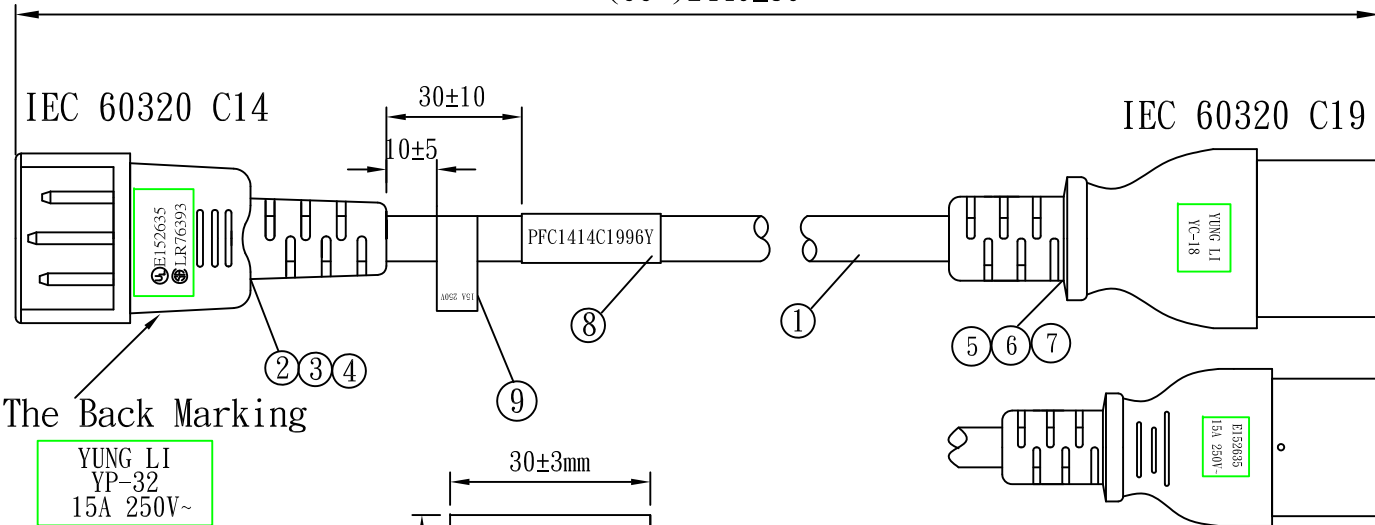
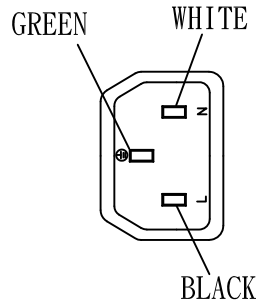


REV	DATE	describe
G	2014.08.26	Plug increase the UL MARK, change the ampera from 16A to 15A for YC-18

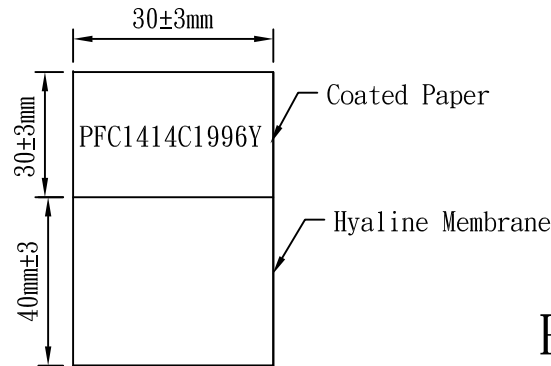
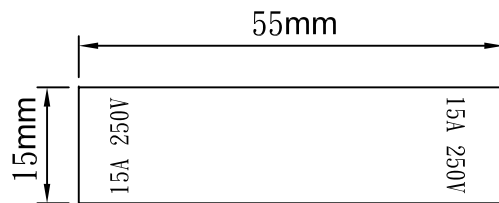


(96")2440±50



The Back Marking

YUNG LI
YP-32
15A 250V~



Packing:
1. Bulk Pack.
2. Bundles of 10 Pieces.

NO.	SPECIFICATION	Q' TY	REMARK
1	SJT 14/3C 105°C Yellow(012C)	1PC	
2	YP-32 PVC PLASTIC:35P Yellow(012C)	15g/PC	
3	TER:98672BS-1	3PCS	
4	INNER BODY: 2X4	1PC	
5	YC-18 PVC PLASTIC:50P Yellow(012C)	25g/PC	
6	YC-18 INNER BODY	1PC	
7	YC-18 TER:	3PCS	
8	LABEL: (40+30)*30mm	1PC	
9	LABEL: 55*15mm	1PC	

Tolerance >0±0.30 >1.0±0.50 >10.0±1.0 >20.0±2.0 Angle: ±1°	Approved		Date		StayOnline [®]			
	Checked		Date					
	Drawn	SUKI	Date	14.08.26	Customer			
	Cat. No.	YP-32/YC-18			P/N.	PFC1414C1996Y		
	Drawing No.	CY-U3380		Rev.	G	Material	P. V. C	Unit
					Scale			