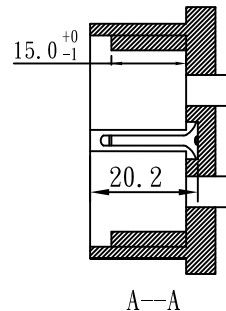
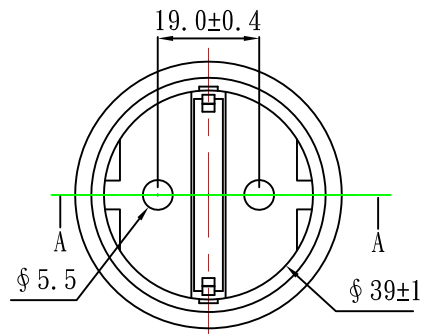
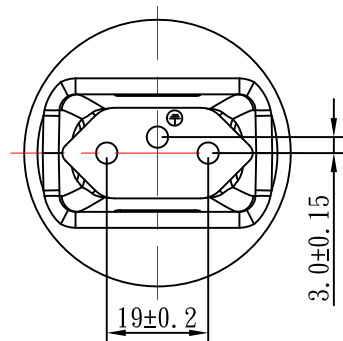
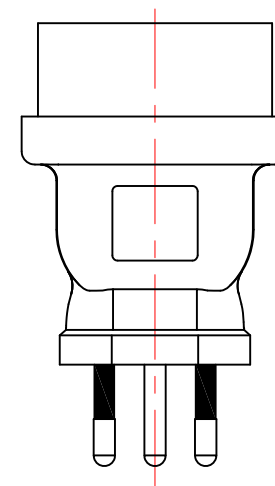
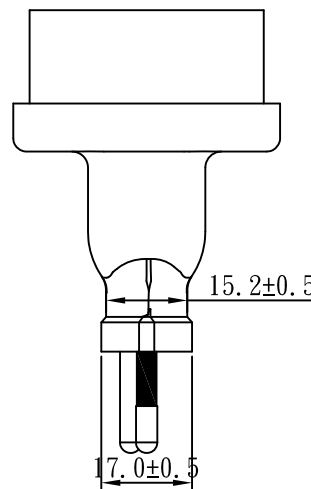
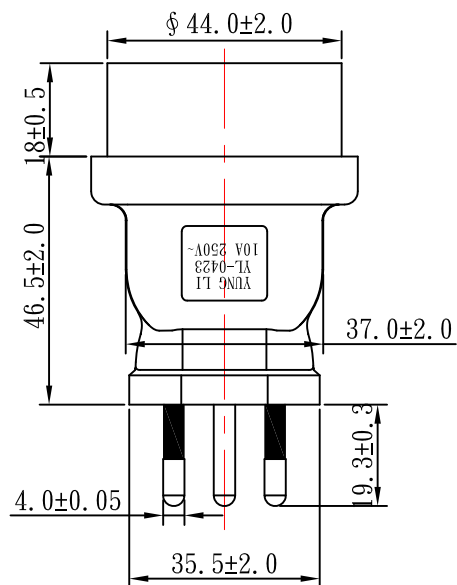


CEE 7/7 to NBR 14136



Note:

1. Rating: 10A 250V
2. Insulation Resistance: 100MΩ
3. Dielectric Voltage: 2000V/sec



TOLERANCE >0±0.30 >1.0±0.50 >10.0±1.0 >20.0±2.0 Angle: ±1°	APPROVED		DATE		YUNG LI CO., LTD			
	CHECKED		DATE					
	DRAWN		DATE					
	TYPE	YL-0423			P/N			
	DRAWING NO.	CY-A0423	REV	B	SCALE	0.7:1	UNIT	mm