



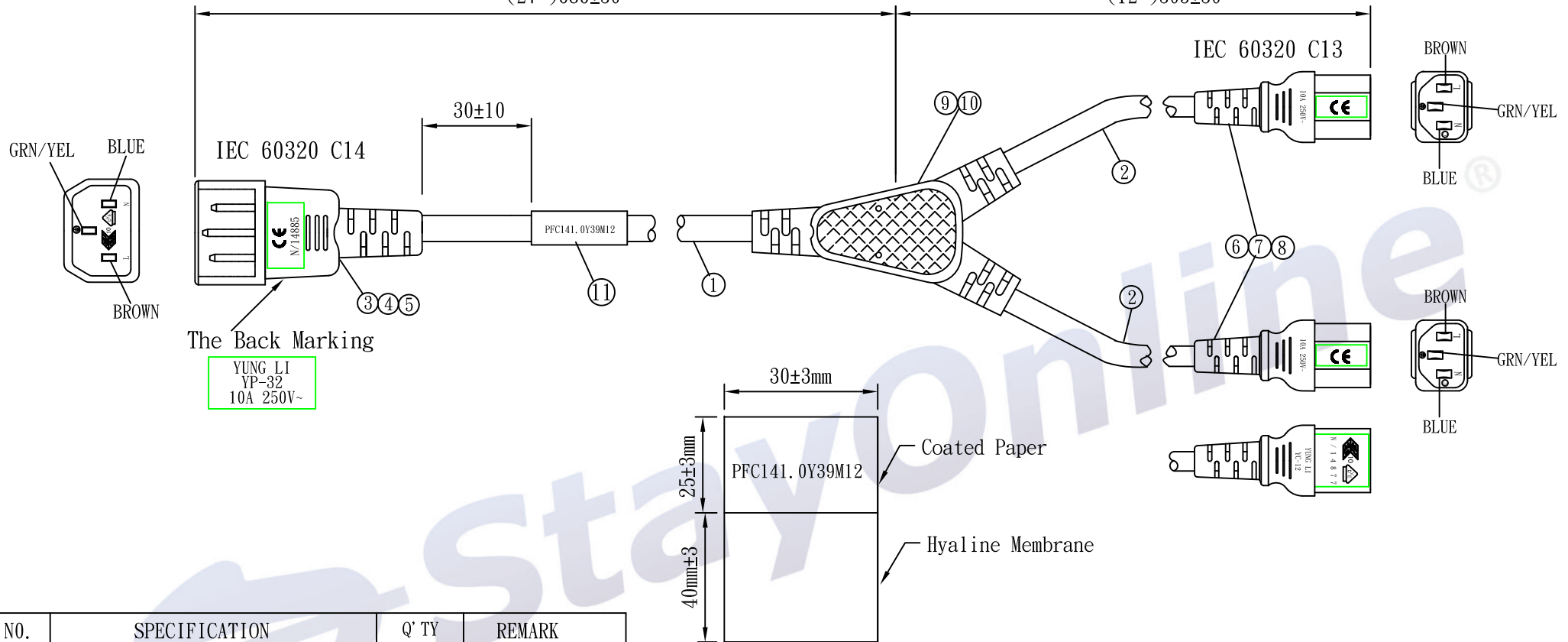
N/14885 CE

(27")686±30



N/14877 CE

(12")305±30



NO.	SPECIFICATION	Q' TY	REMARK
1	H05VV-F 1.0/3C BLACK	1PC	
2	H05VV-F 1.0/3C BLACK	2PCS	
3	YP-32 PVC PLASTIC:50P BLACK	15g/PC	
4	TER:98672BS-1	3PCS	
5	INNER BODY: 2X4 (MARKING)	1PC	
6	YC-12 PVC PLASTIC:35P BLACK	36g/PC	
7	TER:97740	6PCS	
8	YC-12 INNER BODY	2PCS	
9	SR6 PVC PLASTIC:50P BLACK	9g/PC	
10	TER:96146	3PCS	
11	LABEL:(25+40)*30mm	1PC	

Packing:  
 1. Bulk Pack.  
 2. Bundles of 10 Pieces.

Tolerance >0±0.30 >1.0±0.50 >10.0±1.0 >20.0±2.0 Angle:	Approved		Date		<b>StayOnline®</b>			
	Checked		Date					
	Drawn	SUKI	Date	15.01.08	Customer			
	Cat. No.	YP-32/SR6+YC-12*2			P/N.	PFC141.0Y39M12		
	Drawing No.	5351		Rev.	B	Material	P. V. C	Unit

