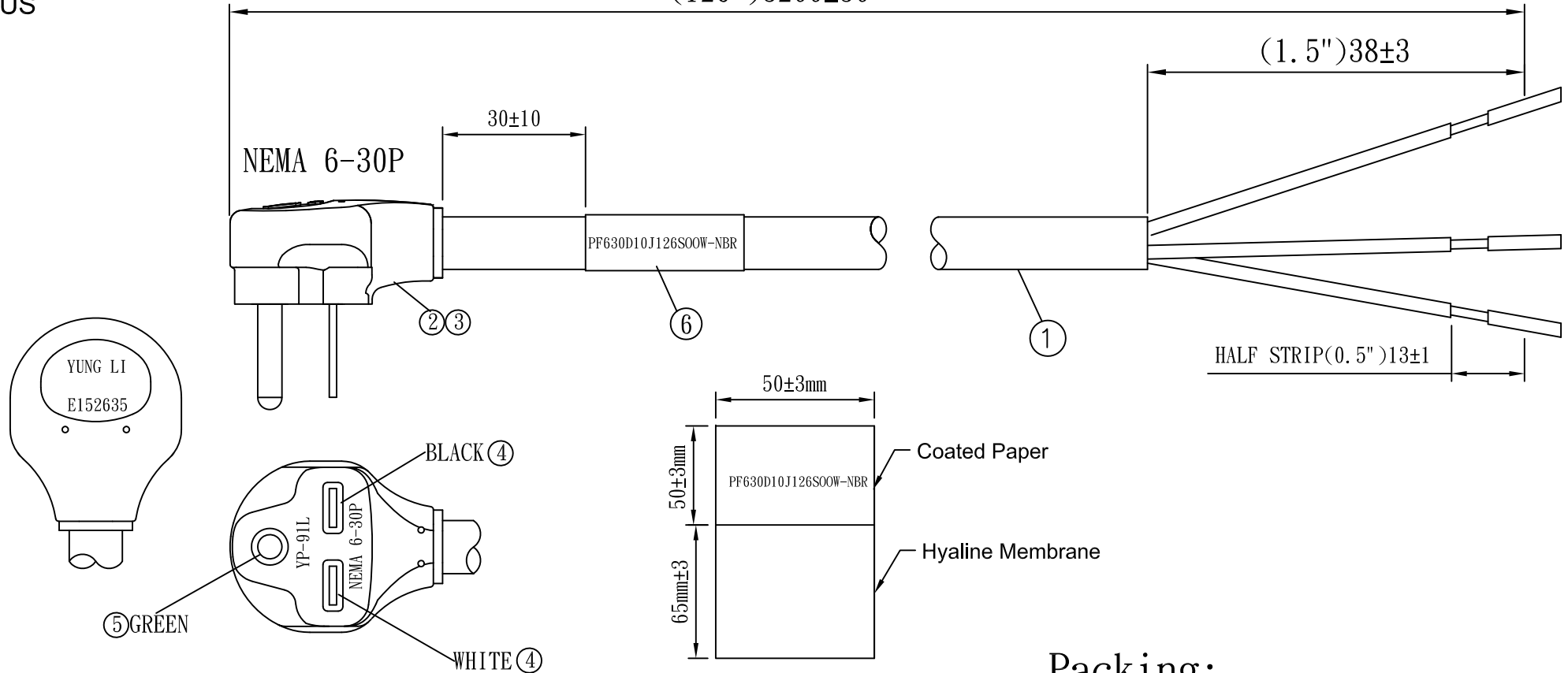




(126") 3200±50



Packing:
 1. Bulk Pack.
 2. BUNDLES OF 10 Pieces.

NO.	SPECIFICATION	O' TY	REMARK
1	SOOW 10/3C 90°C BLACK	1PC	
2	YP-91L PVC PLASTIC:35P BLACK	45g/PC	
3	YP-91L INNER BODY	1PC	
4	YP-91L TER:97650ABL-0	2PCS	
5	TER:98479BL-0	1PC	
6	LABEL: (65+50)*50mm	4PCS	

Tolerance >0±0.30 >1.0±0.50 >10.0±1.0 >20.0±2.0 Angle: ±1°	Approved		Date		StayOnline [®]			
	Checked		Date					
	Drawn	SUKI	Date	13.01.09	Customer			
	Cat. No.	YP-91L/STRIP			P/N.	PF630D10J126SOOW-NBR		
	Drawing No.		Rev.	B	Material	P.V.C	Unit	mm
				Scale				