



## HBL3100C4W -- Pin and Sleeve Products



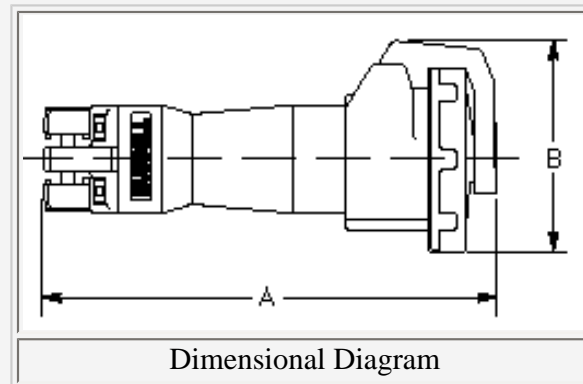
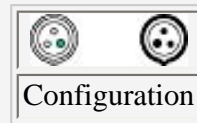
Watertight IEC Pin and Sleeve Connector, 2P3W, 100A 125V

### Product Specifications

|   |   |
|---|---|
| <p><b>Product Type</b></p>                |  <p><b>IEC Devices</b></p> |
| <p><b>IEC Product Type</b></p>            | <p>Watertight</p>   |
| <p><b>Service Style</b></p>               | <p>Standard</p>   |
| <p><b>Device</b></p>                      | <p>Connector</p>  |
| <p><b>Amperage</b></p>                    | <p>100A</p>   |
| <p><b>Voltage</b></p>                     | <p>125V</p>   |
| <p><b>Poles and Wires</b></p>             | <p>2 Pole, 3 Wire</p>   |
| <p><b>Terminal Accommodations</b></p>     | <p>#3 To #1/0 AWG copper wire only</p>  |
| <p><b>Cord clamp range</b></p>            | <p>1.065" To 1.940"</p>   |
| <p><b>Color</b></p>                       |  <p><b>Yellow</b></p>    |
| <p><b>Replacement Interior Number</b></p> | <p>IN3100AF</p>   |
| <p><b>Housing</b></p>                     | <p>Zytel 801 Nylon</p>  |

|                                     |   |
|-------------------------------------|---|
| <b>Contact Carrier</b>              | High-Impact Thermoset   |
| <b>Retainer</b>                     | High-Impact Thermoset   |
| <b>Terminal Screws</b>              | Stainless Steel (300 series)  |
| <b>Assembly Screws</b>              | Stainless Steel (300 series)  |
| <b>Gaskets</b>                      | Solid Neoprene  |
| <b>Cord Clamps</b>                  | Rynite SST35  |
| <b>Grommet/Glands</b>               | Solid Neoprene  |
| <b>Cover Arm</b>                    | Rynite SST35  |
| <b>Arm Spring</b>                   | Stainless Steel (17-1 Type)   |
| <b>Cord Clamp Screws</b>            | Stainless Steel (300 Series)  |
| <b>Clamp Nut</b>                    | Nickel Plated Brass   |
| <b>Cover</b>                        | Rynite SST35  |
| <b>Cover Screw/Rivet</b>            | Nickel Plated Brass   |
| <b>Rotating Sealing Disc</b>        | Polycarbonate   |
| <b>Ground/Phase Sleeve</b>          | Brass   |
| <b>Pin/Sleeve Spring</b>            | Beryllium Copper multi-contact insert with silver plating.  |
| <b>Certification</b>                | UL Listed, File E146032 Receptacles and Inlets, E146033 Plugs and Connectors, UL Standard UL1682 & UL1686C2, CSA Certified File LR280C for Plugs, Connectors and Inlets, LR285C for Receptacles, CSA Standard C22.2 No. 182.1, UL Classified to IEC60309-1, IEC |
| <b>Dielectric Withstand Voltage</b> | Withstands 3,000V AC Min.   |
| <b>Max Working Voltage</b>          | 600V RMS (i.e.minimum creepage distance 10 mm minimum)  |
| <b>Current Interrupting</b>         | Certified for current interrupting at full rated current.   |
| <b>Temperature Rise</b>             | Max 30° C temperature rise at full rated current after 50 cycles of overload at 150% of rated current at a power factor of 75%.   |
| <b>Endurance</b>                    | 5,000 connect and disconnect cycles with load for 16A and 20A, 1,000 cycles with load and 1,000 cycles w/o load for 30A, 32A, 60A and 63A, and 250 cycles with load and 250 cycles w/o load for 100A and 125A.  |
| <b>Impact Resistance</b>            | Per CSA C22.2 No. 182.1 / UL1682.   |
| <b>Cord Grip Retention</b>          | Per CSA C22.2 No. 182.1 / UL1682.   |
| <b>Cord Accommodation</b>           | Round portable service cords of diameters commensurate with the device rating as defined in UL Standard 62, CSA C22.2 No. 49 and the harmonized European Standards.   |
| <b>Terminal Identification</b>      | Terminals identified in accordance with North American and IEC conventions.   |
| <b>Product Identification</b>       | Identification and ratings are a permanent part of the device housing.  |
| <b>Moisture Resistance</b>          | Watertight per IEC 60309-1  |

|                               |   |
|-------------------------------|---|
| <b>Ingress Protection</b>     | IP 67 Suitability   |
| <b>Flammability</b>           | HB or Better per UL 94 or CSA C22.2 No. 0.17  |
| <b>Operating Temperatures</b> | Maximum Continuous: 75° C; Minimum Continuous: -40° C w/o impact.   |
| <b>Certifications</b>         | UL Listed, UL Standard 498 CSA Certified to CSA Spec. C22.2 No. 182.2 UL Classified to IEC 309-1 and IEC 309-2.   |
| <b>Device Description</b>     | Every Hubbell non-metallic Pin and Sleeve product is designed to meet the International Standard IEC 60309-1 and IEC 60309-2. This device standard calls out singly rated, non-interchangeable configuration for every voltage and type of service. |
| <b>UPC Number</b>             | 78358540303   |
| <b>Weight in LBs</b>          | 4.65  |



Dimensional Diagram