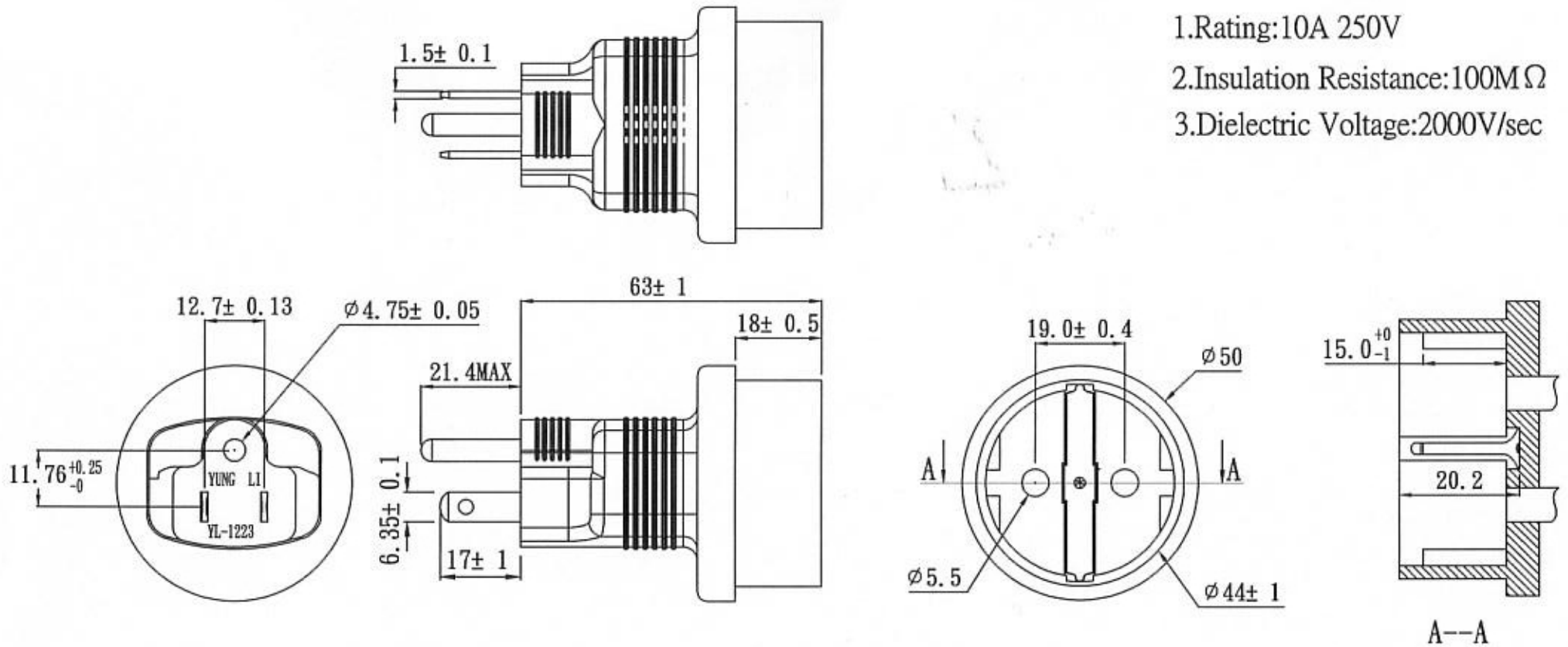


Note:

1. Rating: 10A 250V
2. Insulation Resistance: 100MΩ
3. Dielectric Voltage: 2000V/sec



1. 1015 18AWG  
(Brown blue: L=30mm GRN/YEL: L=23mm )
2. SF45 INNER BODY 3PIN WHITE 1PC JJ
3. TER:98675BS-1 2PCS
4. TER:  $\phi 4.75$  1PC
5. Terminal:98775BL-1 2PCS GEM
6. YC-23 inner model 1PC FW
7. PVC:50P
8. Zip bag:110X110X0.06mm 1PC  
(W=110 L=75)

CB-A-NUS-FM.

TOLERANCE >0± 0.30 >1.0± 0.50 >10.0± 1.0 >20.0± 2.0 Angle: ± 1'	APPROVED		DATE		YUNG LI CO., LTD			
	CHECKED		DATE					
	DRAWN		DATE					
TYPE	YL-1223			P/N				
DRAWING NO.	CY-A1223			MATERIAL	P. V. C	UNIT	mm	
				SCALE	1:1			