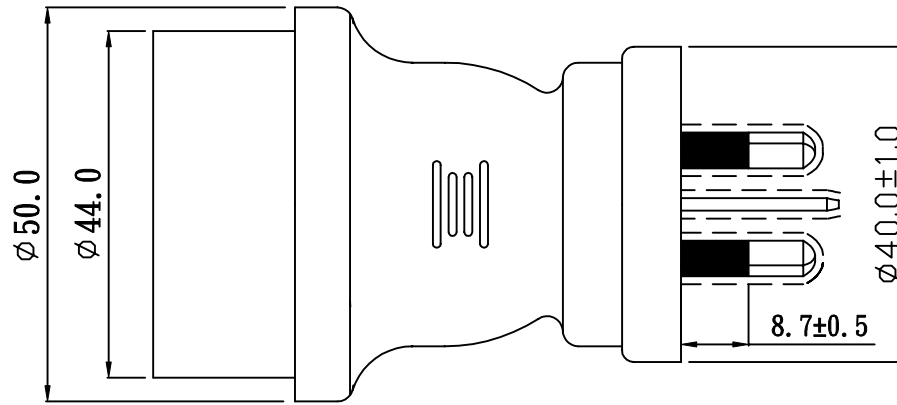
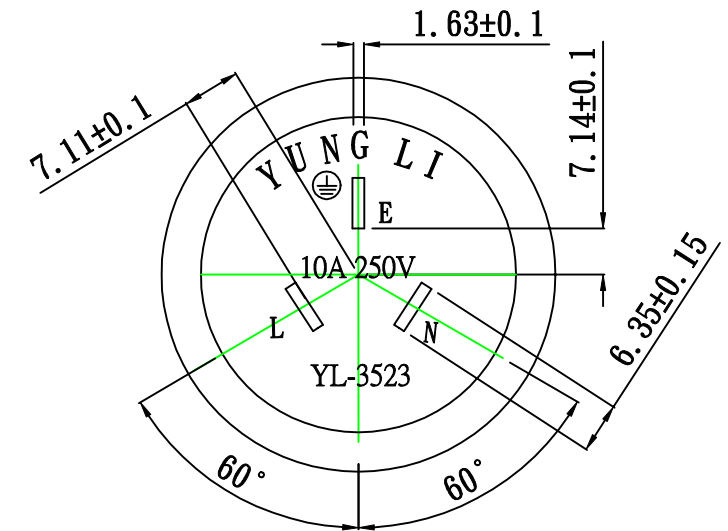
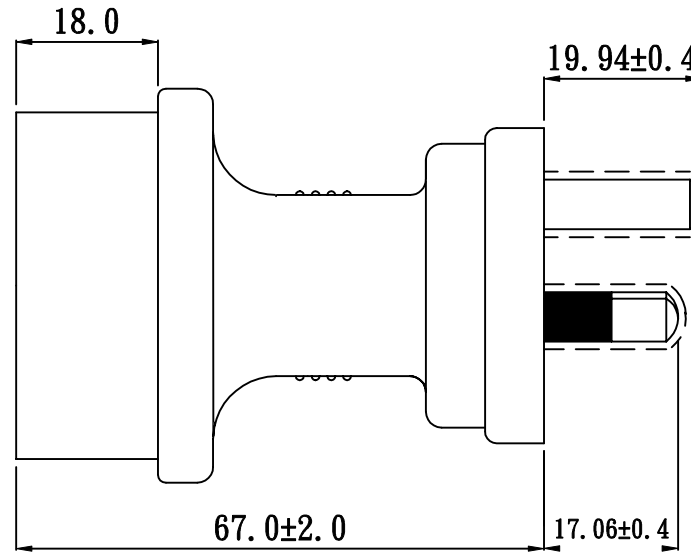
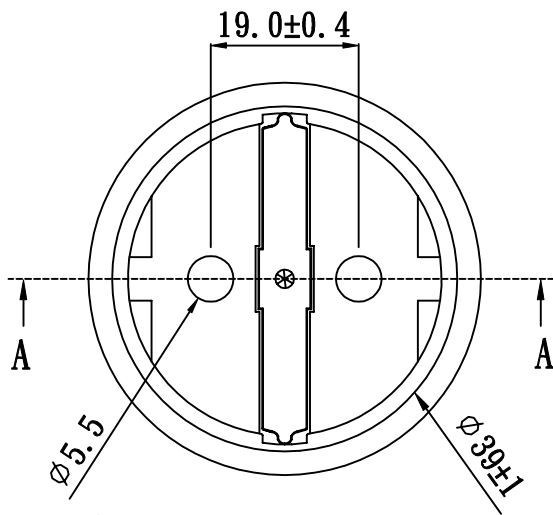


A--A(局部)



Note:

1. Rating: 10A 250V
2. Insulation Resistance: 100MΩ
3. Dielectric Voltage: 2000V/sec



NOTE:

1. 1015 18AWG
(Brown/Blue:L=16mm Green/Yellow:L=27mm)
2. SAA INNER BODY 1PC
3. TER:P97658 2PCS
4. FRAME :YC-23 1PC
5. PVC:50P
6. ZIP BAG:110X110X0.04mm 1PC
(W=110 L=110)
7. SLEEVE WHITE 1PC
8. TER:98658 1PC

TOLERANCE >0±0.30 >1.0±0.50 >10.0±1.0 >20.0±2.0 Angle: ±1°	APPROVED		DATE		YUNG LI CO., LTD				
	CHECKED		DATE						
	DRAWN		DATE						
	TYPE	YL-3523			P/N	CB-A-AUW-FM			
DRAWING NO.	CY-A3523			SCALE	1:1	MATERIAL	P. V. C	UNIT	mm