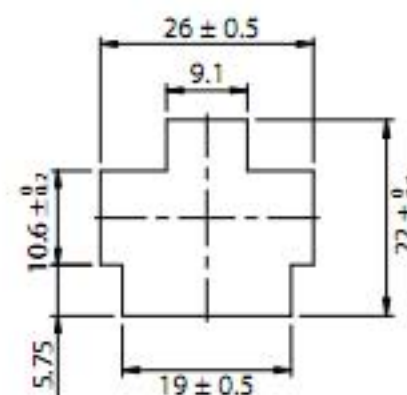
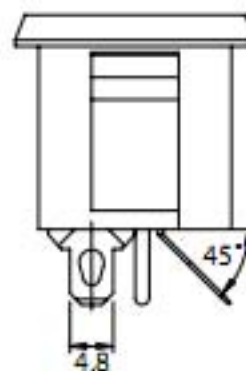
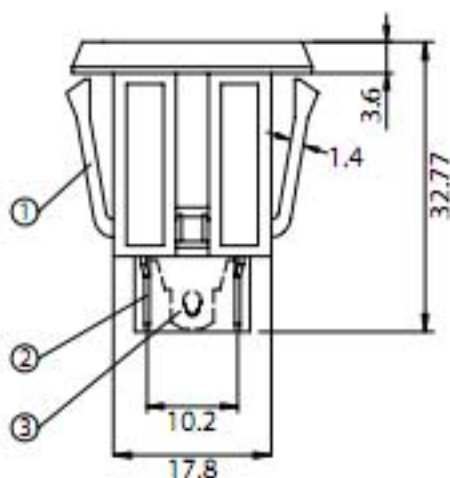
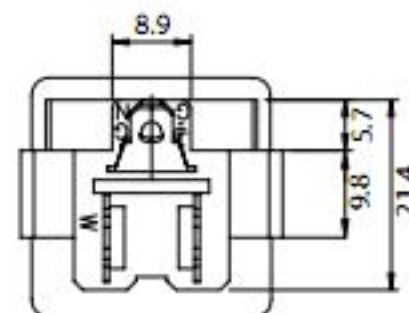
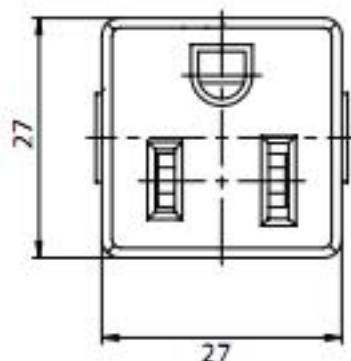


THESE DRAWINGS ARE THE PROPERTY OF QUALTEK ELECTRONICS AND NOT TO BE REPRODUCED FOR OR COMMUNICATED TO A THIRD PARTY WITHOUT THE EXPRESS WRITTEN PERMISSION OF AN OFFICER OF QUALTEK ELECTRONICS.

REVISION			
REV.	DESCRIPTION	DATE	APPROVED
B	RoHS Compliancy	06-01-06	DP
C	Updated Specifications	01-10-08	DP
D	Updated Notes	11-13-08	LY



PANEL THICKNESS RANGE: 0.8mm~2.0mm

CONTROLLED

NOTES:

RATING: 15A 125V AC
 MATERIAL: UL94-V0
 APPROVALS: UL, cUL, CSA
 PANEL THICKNESS: 0.8mm~2.0mm
 MAXIMUM OPERATING TEMPERATURE: 105°C
 RoHS COMPLIANT

3	Soldering PIN B 0.6t Tin-Plated	1		
2	Soldering PIN A 0.6t Tin-Plated	2		
1	Body Insulator NYLON 21SP Color: Black	1		
Dim range (mm)		Tolerance +/- (mm)	Qualtek Electronics Corp. PPC DIVISION Part Number: 738W-X2/03 RoHS Compliant Description: NEMA 5-15 RECEPTACLE	
0-1		0.15		
1-6		0.20	UNIT: mm	REV. D
6-18		0.30	Drawn / Date	Checked / Date
18-50		0.50	B.ZHANG	01-29-04
50-120		0.70	01-29-04	JJH / 01-29-04
120-250		0.90		
250-500		1.20		